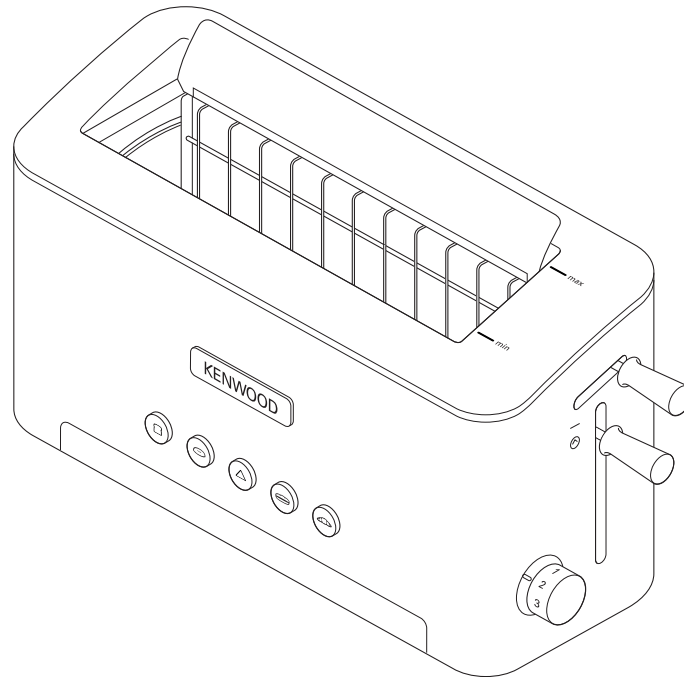


KENWOOD

TTM610

instructions



English	2 - 8
Nederlands	9 - 16
Français	17 - 25
Deutsch	26 - 34
Italiano	35 - 42
Português	43 - 50
Español	51 - 59
Dansk	60 - 66
Svenska	67 - 73
Norsk	74 - 80
Suomi	81 - 87
Türkçe	88 - 94
Česky	95 - 102
Magyar	103 - 109
Polski	110 - 117
Ελληνικά	118 - 126
Slovenčina	127 - 134
Українська	135 - 143
عربي	١٥٠ - ١٤٤



HEAD OFFICE: Kenwood Limited, 1-3 Kenwood Business Park, New Lane, Havant, Hampshire PO9 2NH

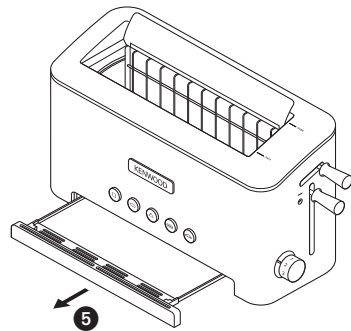
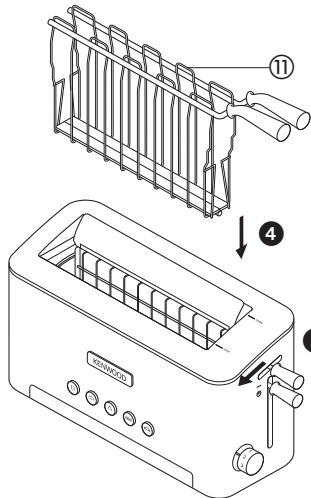
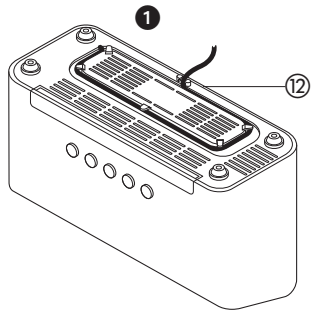
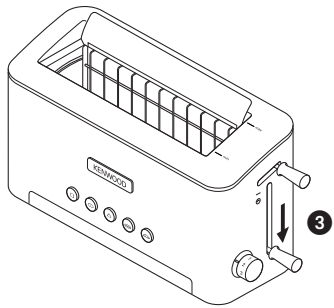
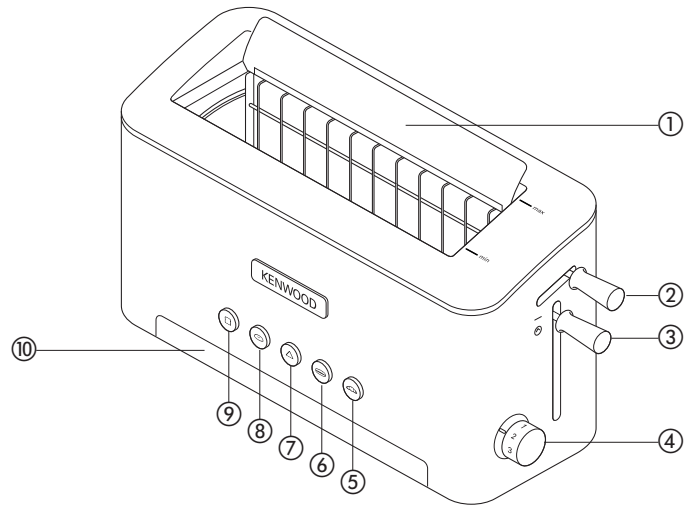
kenwoodworld.com

KENWOOD
CREATE MORE

120719/3



English



safety

- Read these instructions carefully and retain for future reference.
- Remove all packaging and any labels.
- Burnt food can catch fire, so:
 - never leave your toaster on unattended;
 - set the browning control lower for thin or dry bread;
 - never warm food with a topping eg pizza: if it drips into the toaster, it could catch fire. If warming food items with a filling always use the sandwich cage and follow the instructions provided.
 - Clean the removable crumb tray regularly: crumbs can smoke or burn. Pay particular attention to cleaning melted cheese and other ingredients from sandwiches etc that may fall onto the crumb tray.
- Sandwich fillings could melt and drip into the toaster. Take care as it could catch fire.
- To avoid electric shocks, **never:**
 - let the toaster, cord or plug get wet; or
 - put **your hand** or anything metal, other than the sandwich cage, into the toaster.
- Always unplug the toaster when not in use, before cleaning or attempting to clear any jammed sandwich cage/food.
- Never cover your toaster with a plate or anything else - it could overheat and catch fire.
- Never let the cord hang down where a child could grab it.
- We recommend that you do not use your toaster directly under wall cupboards.


- Do not move the toaster whilst it is in operation.
- Never touch hot surfaces especially the metal top area and the sandwich cage.
CAUTION: The fascia panel does get particularly hot during use.
- Never use an unauthorised attachment or accessory.
- Do not force food items into the toaster as difficulty may be experienced in removing them. Never insert broken pieces of bread.
- Never use a damaged toaster. Get it checked or repaired: see 'service & customer care'.
- Select the appropriate button for the food item being toasted. See the 'hints & tips on using your toaster' table.
- This toaster will not cook raw meat or fish.
- Thoroughly cook or re-heat ingredients such as meat or fish prior to adding them to the food item and ensure all ingredients are piping hot throughout before serving. Do not re-heat ingredients more than once.
- Misuse of your appliance can result in injury.
- Children from 8 years and above can use, clean and perform user maintenance on this appliance in accordance with the User Instructions provided they are supervised by a person responsible for their safety and have been given instruction concerning the use of the appliance and are aware of the hazards.

- Persons with reduced physical, sensory or mental capabilities or lack of knowledge using this appliance must have been given supervision or instruction on its safe use and are aware of the hazards.
- Children must not play with the appliance and both appliance and cord must be out of reach of children less than 8 years.
- Wipe the outside of the toaster with a damp cloth, then dry. Do not use abrasives.
- Only use the appliance for its intended domestic use. Kenwood will not accept any liability if the appliance is subject to improper use, or failure to comply with these instructions.

before plugging in

- Make sure your electricity supply is the same as the one shown on the underside of your toaster.
- **WARNING: THIS APPLIANCE MUST BE EARTHED.**
- This appliance conforms to EC Regulation 1935/2004 on materials and articles intended to come into contact with food.

before using for the first time

- 1 Clip excess cord into the cord storage clips in the base ①.
- 2 Set the browning control to between settings 2 and 3, lower the carriage lever and press the toast button .
- As with all new heating elements, your toaster may emit a slight burning smell when it is first switched on. This is normal and not a cause for concern.
- 3 Wash the sandwich cage with hot soapy water, then dry thoroughly.

key

- ① fascia panel
- ② adjustable slot lever
- ③ Peek & View™ carriage lever
- ④ browning control
- ⑤ button with indicator light for croissants
- ⑥ button with indicator light for paninis
- ⑦ cancel button with indicator light
- ⑧ button with indicator light for toasting one side only eg bagels
- ⑨ button with indicator light for toast
- ⑩ large removable crumb tray
- ⑪ sandwich cage
- ⑫ cord storage

to use your toaster

Note: All filled food items such as sandwiches should be toasted using the sandwich cage see 'to toast food items using the sandwich cage'.

- 1 Plug the toaster into the power supply, an audible beep will be heard.

- 2 Adjust the slot width to suit the food item ②. **CAUTION: Take care not to touch the fascia panel, it may be hot.**
- 3 Insert the bread, muffins, bagels, croissants etc. Do not force food items into the toaster.
- 4 Lower the carriage lever ③.
- 5 Move the browning control to the desired setting. Use a low browning control setting for light toasting and for thin or dry bread.
- 6 Select the desired function button. The selected button and cancel button lights will illuminate, an audible beep will be heard and toasting will begin.
 - To toast bagels the cut face should be facing the front of the toaster.
 - Note: when toasting using the bagel button, the front element will toast with a higher heat than the element at the back of the toaster. **This will result in only one side of the item being toasted.**
 - To defrost frozen bread, select the defrost position ❄️ on the browning control.
 - You can use the carriage lever to lift the food item to Peek & View™ at any time without cancelling.
- 7 To stop toasting at any stage, press the cancel button. The toaster will emit an audible beep to indicate toasting is cancelled and the button lights will go out.
- 8 When toasting has finished the toaster will emit an audible beep and the button lights will go out and the toasting will stop. The food item will **NOT** pop up.
- 9 Use the carriage lever to raise the food item.
- 10 After use, unplug the toaster.

to toast food items using the sandwich cage

- **Thoroughly cook or re-heat ingredients such as meat or fish prior to adding them to the item to be toasted and ensure all ingredients are piping hot throughout before serving. Do not re-heat ingredients more than once.**
 - **Do not leave hot ingredients to cool before toasting the food item.**
 - **Ensure all ingredients particularly meat or fish are fresh and used within use-by dates.**
 - **Use other vegetable ingredients at room temperature to avoid them chilling the hot cooked ingredients.**
 - When cutting your paninis or ciabattas etc do not cut all the way through, instead leave the bottom side uncut so that it prevents melted cheese from dripping into the toaster.
 - Cut ingredients thinly - do not use large chunks.
 - Take care when using ingredients that could melt and run out of the food item. We do not recommend the use of high fat or similar fillings that may drip into the toaster as this will be difficult to clean.
 - Lightly butter the outside surface of sandwiches and place the filling inbetween the unbuttered sides. This helps prevent the outside from burning. Do not use low fat spreads, which are not suitable for toasting.
 - Ensure the food item is evenly filled.
 - Always use food items that are a suitable size for the sandwich cage. Do not force food items into the toaster.
- 1 Plug the toaster into the power supply, an audible beep will be heard.

- 2 Place the food item in the sandwich cage and close.
- 3 Adjust the slot width to suit the sandwich cage ②. **CAUTION: Take care not to touch the fascia panel, it may be hot.**
- 4 Lower the carriage lever ③ and place the sandwich cage into the slot ④.
- 5 Move the browning control to the desired setting.
- 6 Select the desired button. The selected button and cancel button lights will illuminate, an audible beep will be heard and toasting will begin.
 - In order to monitor the progress of the toasting, the sandwich cage can be lifted up without cancelling.
- 7 To stop toasting at any stage, press the cancel button. The toaster will emit an audible beep to indicate toasting is cancelled and the button lights will go out.
- 8 When toasting has finished the toaster will emit an audible beep and the button lights will go out and the toasting will stop. The food item will **NOT** pop up.
- 9 Leave the toasted food item to stand for 1 minute inside the toaster before serving.
- 10 Remove the sandwich cage, then open it up and tip the food item onto a plate.
- 11 After using, unplug the toaster.

CAUTION:

 - **The sandwich cage will be very hot, ensure it is placed on a heat resistant surface and take care when handling.**
 - **Ensure ingredients are piping hot throughout before serving.**
 - **Take care when biting into the food items as the fillings can be very hot.**

hints & tips on using your toaster

These are recommendations only. After a short period of use, experience will teach you which setting is the right one for your needs. It is advisable to initially start off with a lower setting until you become familiar with the toaster.

button	food item examples	setting range recommended
Bagel ☺ For toasting one side only	<ul style="list-style-type: none"> • Bagels • Crumpets • Hot cross buns • Teacakes 	2-3 3-4 1-3 1-3
Toast ☐	<ul style="list-style-type: none"> • Pre-sliced shop bought bread • Hand cut bakery bread • Toasting waffles 	2-3 2-3 2-3
Croissant ☽ Panini ☷	<ul style="list-style-type: none"> • Filled half size ciabattas • Pains au chocolat • Scotch pancakes • Filled croissants • Filled sandwiches 	4-5 1-3 1-2 2-3 3-4

hints & tips:

- Don't make the slot width too narrow or close the sandwich cage too tightly and squash the food item.
- Slices should be cleanly cut and not have ragged edges.
- To defrost frozen bread, select the defrost position ❄ on the browning control.
- Cut ingredients thinly - do not use large chunks.
- Dry/stale bread toasts more quickly than fresh bread and thinly sliced bread toasts more quickly than thickly sliced bread. Therefore the browning control should be set at a lower setting than usual.
- For best results ensure that the bread slices are of an even thickness, freshness and size.
- In order to achieve uniform browning, we recommend you wait a minimum of 30 seconds between each toasting so that the control can automatically reset. Alternatively select a lower browning control setting when additional toasting is carried out.

food safety:

- **Thoroughly cook or re-heat ingredients such as meat or fish prior to adding them to the food item and ensure all ingredients are piping hot throughout before serving. Do not re-heat ingredients more than once.**
- **Do not leave hot ingredients to cool before toasting the food item.**
- **Ensure all ingredients particularly meat or fish are fresh and used within use-by dates.**
- **Use other vegetable ingredients at room temperature to avoid them chilling the hot cooked ingredients.**

care and cleaning

- 1 Before cleaning, unplug your toaster and let it cool down. Allow the sandwich cage to cool down completely before cleaning.
 - 2 Wash the sandwich cage with hot soapy water, then dry thoroughly.
 - 3 Push the crumb tray to release it, then slide out the crumb tray ⑤. Clean, then replace. Do this regularly: crumbs can smoke or even burn. Pay particular attention to cleaning melted cheese and other ingredients from sandwiches etc that may fall onto the crumb tray.
 - 4 Wipe the outside of the toaster with a damp cloth, then dry.
- Do not wash any part in the dishwasher.

service & customer care

- If the cord is damaged it must, for safety reasons, be replaced by KENWOOD or an authorised KENWOOD repairer.
- If you experience any problems with the operation of your appliance, before requesting assistance visit www.kenwoodworld.com.
- Please note that your product is covered by a warranty, which complies with all legal provisions concerning any existing warranty and consumer rights in the country where the product was purchased.
- If your Kenwood product malfunctions or you find any defects, please send it or bring it to an authorised KENWOOD Service Centre. To find up to date details of your nearest authorised KENWOOD Service centre visit www.kenwoodworld.com or the website specific to your Country.
- Designed and engineered by Kenwood in the UK.
- Made in China.



IMPORTANT INFORMATION FOR CORRECT DISPOSAL OF THE PRODUCT IN ACCORDANCE WITH THE EUROPEAN DIRECTIVE ON WASTE ELECTRICAL AND ELECTRONIC EQUIPMENT (WEEE)

At the end of its working life, the product must not be disposed of as urban waste.

It must be taken to a special local authority differentiated waste collection centre or to a dealer providing this service.

Disposing of a household appliance separately avoids possible negative consequences for the environment and health deriving from inappropriate disposal and enables the constituent materials to be recovered to obtain significant savings in energy and resources. As a reminder of the need to dispose of household appliances separately, the product is marked with a crossed-out wheeled dustbin.