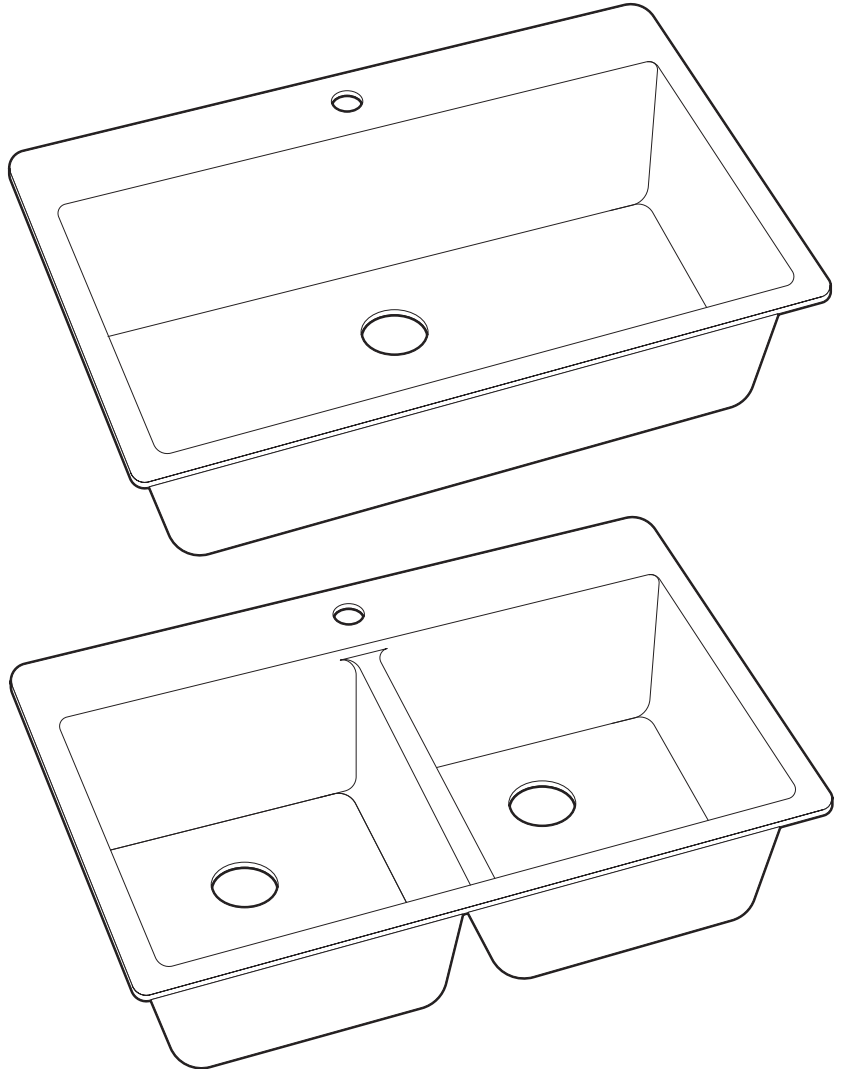


allen + roth®

welcoming • sophisticated • inspiring



Allen & Roth and logo design are trademarks or registered trademarks of LF, LLC. All rights reserved.

ITEM #2889548 Single Bowl
#2889547 Double Bowl

Granite Kitchen Sink

MODEL# JJ-LARGE SB GNT COMP Single Bowl
JJ-DB GNT COMP Double Bowl

ATTACH YOUR RECEIPT HERE

Español p. 9

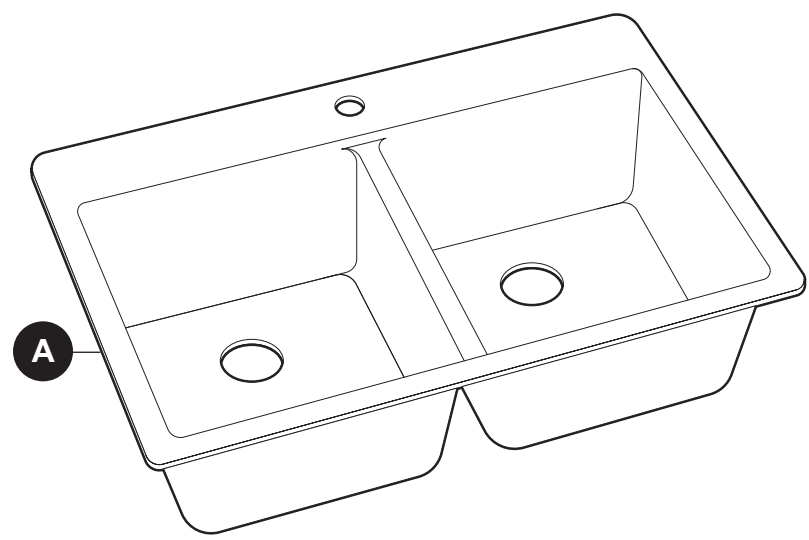
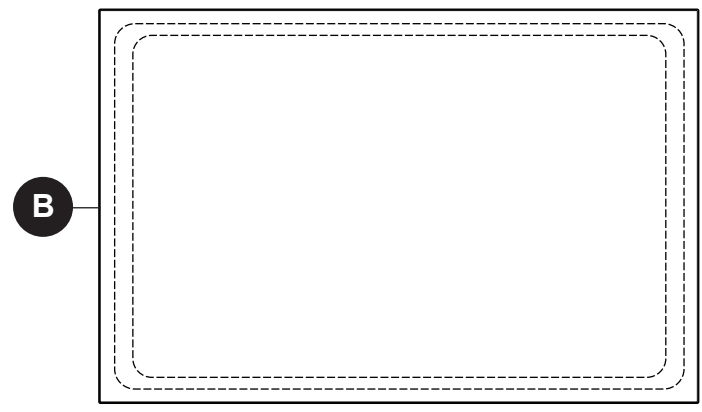
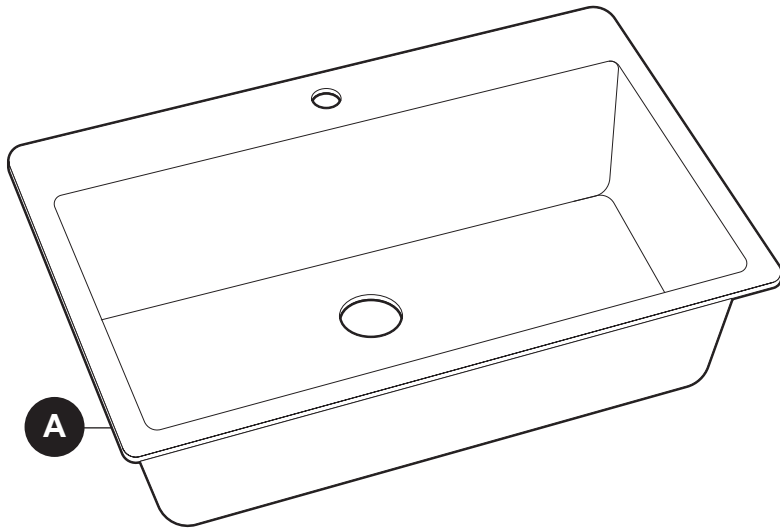
Serial Number _____ Purchase Date _____

Questions, problems, missing parts? Before returning to your retailer, call our customer service department at 1-866-439-9800, 8 a.m. - 8 p.m., EST, Monday - Sunday. You could also contact us at partsplus@lowes.com or visit www.lowespartsplus.com.

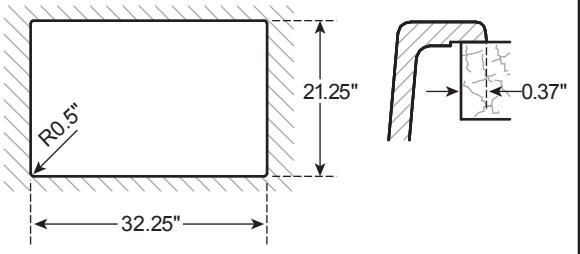
SM20575

lowes.com/allenandroth allen + roth

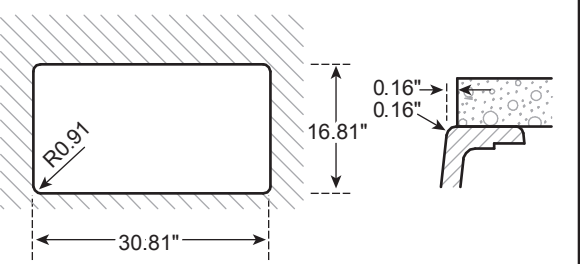
PACKAGE CONTENTS



Single Bowl Topmount Cut-out

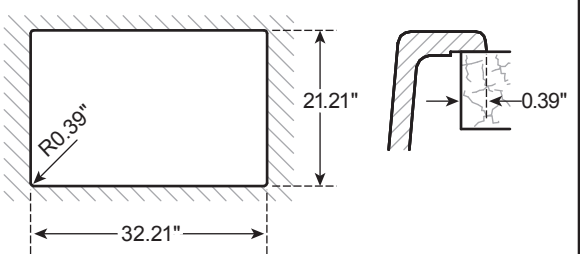


Single Bowl Undermount Cut-out

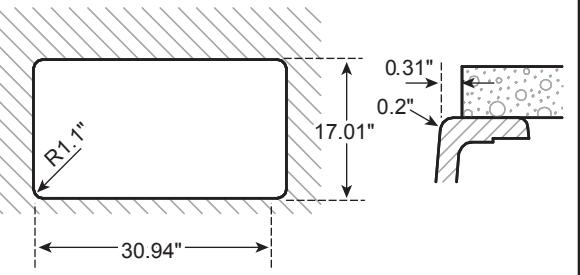


PART	DESCRIPTION	QUANTITY
A	Single Bowl Sink	1
B	2-in-1 Template	1

Double Bowl Topmount Cut-out

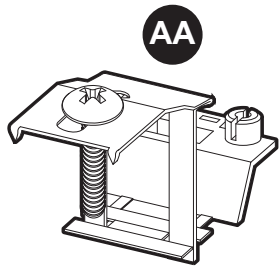


Double Bowl Undermount Cut-out

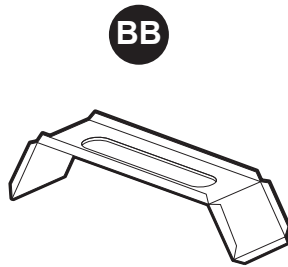


PART	DESCRIPTION	QUANTITY
A	Double Bowl Sink	1
B	2-in-1 Template	1

HARDWARE CONTENTS



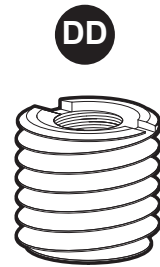
Top-mount Clip
with Screw
Qty. 8



Mounting Bracket
Qty. 8



Mounting Screw
Qty. 8



Threaded nut
Qty. 8



SAFETY INFORMATION

Please read and understand this entire manual before attempting to assemble, operate or install this product.



WARNING

- Keep all packaging materials out of the reach of children to prevent possible choking or suffocation.
- Use caution when installing the sink. There is a risk of crushing your fingers when inserting the sink into the installation location.

CAUTION

- **NEVER** place hot objects such as hot pans on the sink. Wait until the object has cooled or use a heat resistant plate when placing hot objects on the sink surface.

NOTICE

- Avoid leaving wet sponges, salt, and corrosive substances on the sink for long periods of time. Lines and scratches may be caused by improper use of the sink.
- **DO NOT** place the sink on its side as there is a risk of damage.

KEEP THESE INSTRUCTIONS FOR FUTURE REFERENCE.

PREPARATION

Before beginning installation of product, make sure all parts are present. Compare parts with package contents list and hardware contents list. If any part is missing or damaged, do not attempt to install the product.

Estimated Installation Time: 30 minutes.

Tools Required for Installation (not included): jigsaw, silicone sealant, phillips screwdriver, hammer, flathead screwdriver, tungsten rasp, safety goggles, pencil.

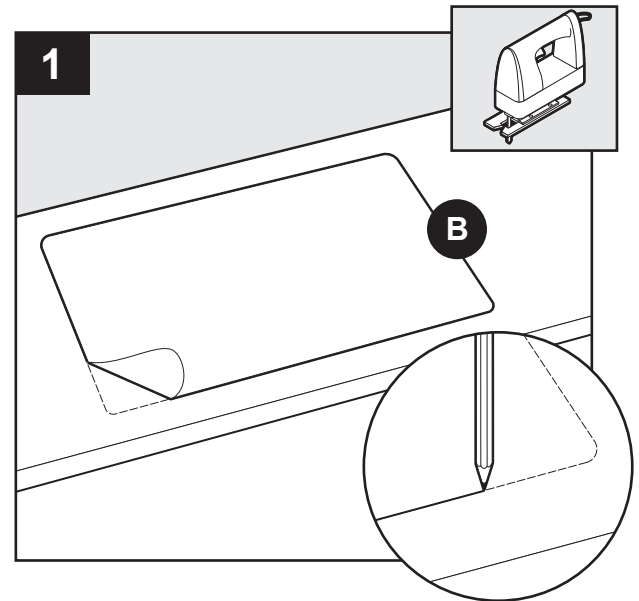
INSTALLATION INSTRUCTIONS—TOPMOUNT

1. Preparing the installation location

If necessary, disconnect the water supply lines underneath the sink and remove the old sink.

Place the 2-in-1 template (B) on sink installation location. Using a pencil, mark the correct location (see insets on page 2) onto the sink.

Using a jigsaw, cut out the location for the sink.



2. Preparing the sink for installation

*Please skip this step unless additional holes are necessary for your faucet and/or accessories.

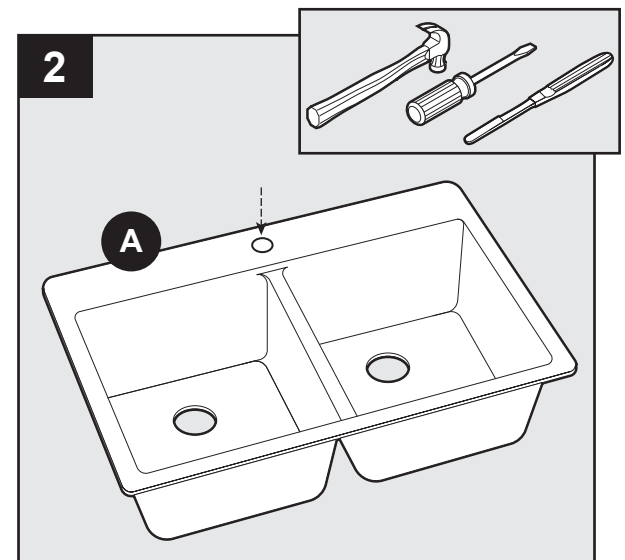
Gently place sink into countertop cut out to support the outer ledge of your sink. With a flathead screwdriver and hammer, proceed to punch out holes.

Finish the hole with a small tungsten rasp and remove the stickers on the sink for any pre-marked holes not needed.

Note: A round sticker on the sink indicates where the knock-out holes have been prepared. Check that this sticker has not been moved. Also note that one hole has already been prepared.

CAUTION

- **DO NOT** turn the sink over in order to push out the pre-scored hole on the sink. This will damage the sink. Punch out the pre-scored hole as shown.



INSTALLATION INSTRUCTIONS—TOPMOUNT

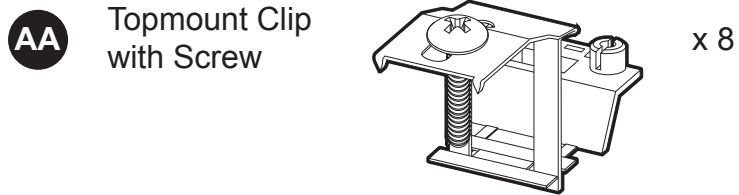
3. Installing the mounting brackets

Turn the sink over and press the mounting clips (AA) into the pre-drilled holes along the rim of the sink (A) until they are flush on the base of the sink (A).

Hammer in the spreader bolts on both sides of the mounting clips (AA) as far as the stop, using either a screwdriver or hammer.

Apply silicone sealant (not included) along the edge of the sink (A).

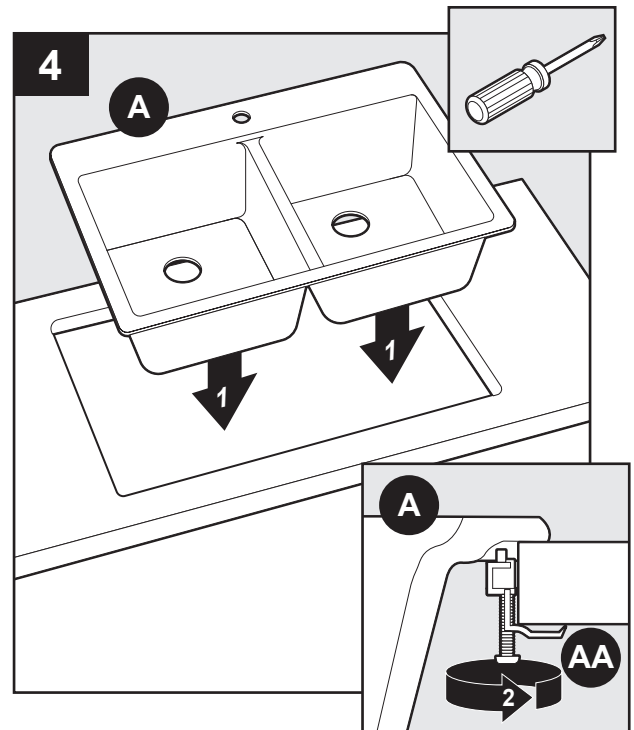
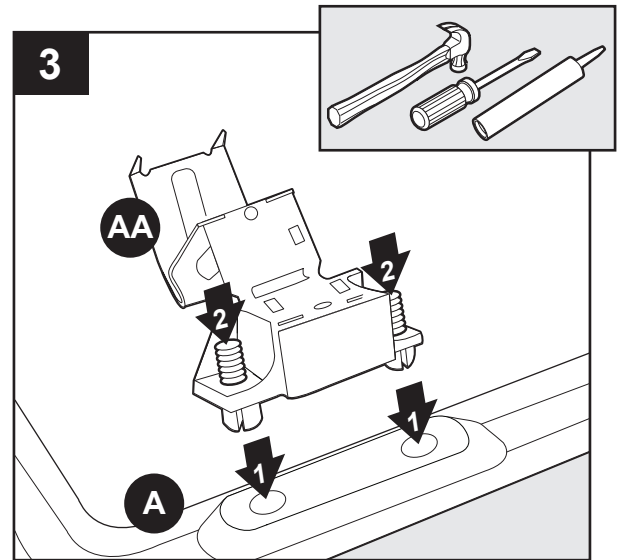
Hardware Used



4. Installing the sink

Place the sink (A) into the countertop and remove any excess sealant that comes out from the edges.

Tighten the screws on the mounting clips (AA) underneath the sink (A) to anchor the sink (A).



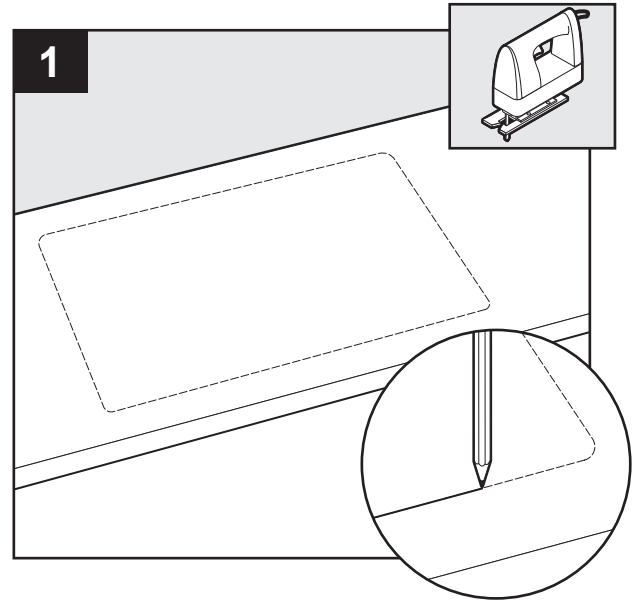
INSTALLATION INSTRUCTIONS—UNDERMOUNT

1. Preparing the installation location

If necessary, disconnect the water supply lines underneath the sink and remove the old sink.

Using a pencil mark the measurements (from the insets on page 2) onto the sink location.

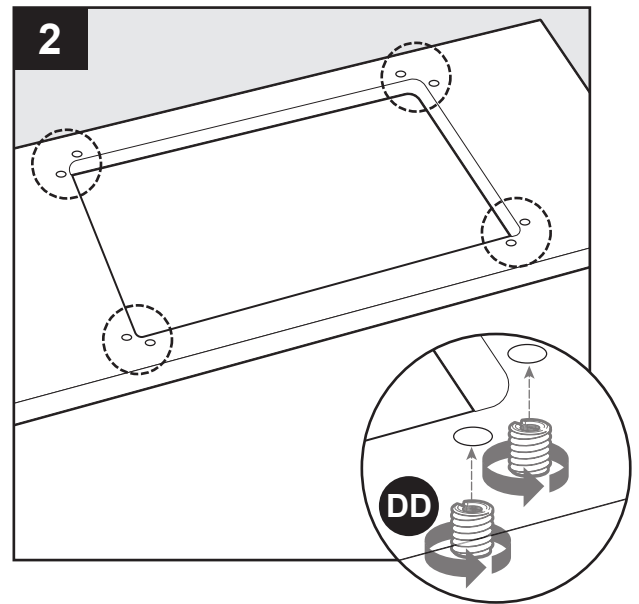
Using a jigsaw, cut out the location for the sink.



2. Preparing to mount the sink

From underneath the countertop, prepare 30 mm holes around the perimeter of the installation location. A typical installation will have two holes at each corner of the sink.

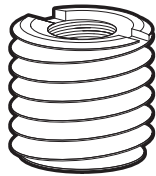
Place the threaded nuts (DD) securely into each of the holes underneath the counter.



Hardware Used

DD

Threaded Nut



x 8

INSTALLATION INSTRUCTIONS—UNDERMOUNT

3. Mounting the sink

From underneath the countertop, apply silicone sealant around the perimeter of the installation location.

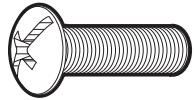
Place the sink (A) underneath the countertop by inserting mounting screws (BB) through the mounting brackets (CC) and into the installed threaded nuts (DD).

Tighten the screws in a crisscross pattern to ensure that the sink is installed evenly underneath the counter.

Hardware Used

BB

Mounting
Screw

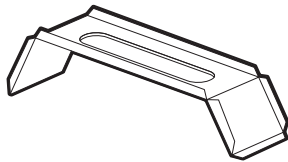


x 8

Hardware Used

CC

Mounting
Bracket



x 8

