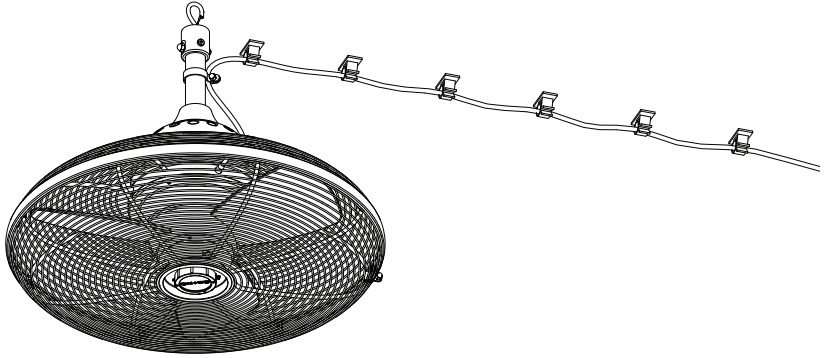


allen + roth™

welcoming • sophisticated • inspiring



ALLEN + ROTH and logo design are trademarks or registered trademarks of LF, LLC. All rights reserved.

ITEM #2889551

# VALDOSTA PORTABLE FAN

MODEL #L1120H-WH

Español p. 10

**ATTACH YOUR RECEIPT HERE**

Serial Number \_\_\_\_\_ Purchase Date \_\_\_\_\_

**Questions, problems, missing parts?** Before returning to your retailer, call our customer service department at 1-866-439-9800, 8 a.m. - 8 p.m., EST, Monday - Sunday. You could also contact us at [partsplus@lowes.com](mailto:partsplus@lowes.com) or visit [www.lowespartsplus.com](http://www.lowespartsplus.com).

VR20433

allen + roth™

**TABLE OF CONTENTS**

---

Package Contents..... 3

Hardware Contents..... 4

Safety Information..... 4

Preparation ..... 5

Assembly Instructions..... 5

Operating Instructions ..... 7

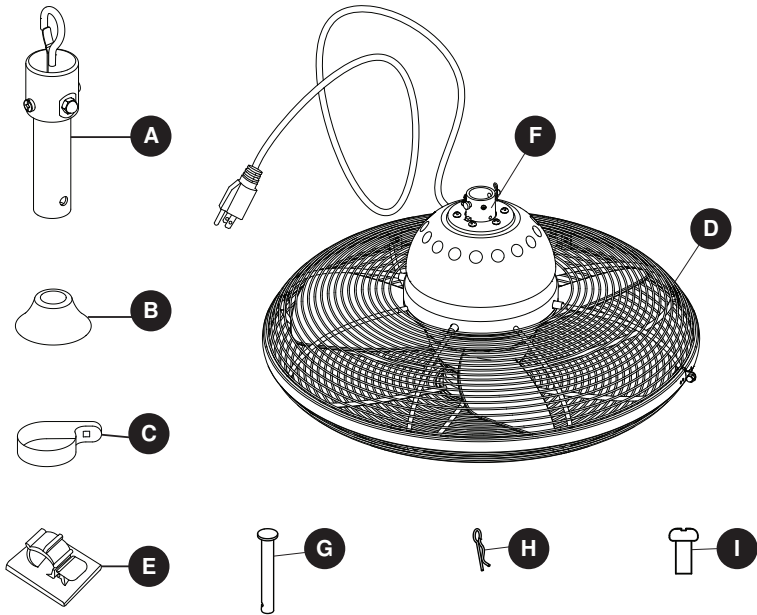
Care and Maintenance ..... 8

Troubleshooting..... 8

Limited Lifetime Warranty..... 9

Replacement Parts List ..... 9

## PACKAGE CONTENTS



PART	DESCRIPTION	QUANTITY
A	Downrod Assembly	1
B	Coupling Cover	1
C	Rod Clip	1
D	Motor Body	1
E	Wire Clip	6
F	Coupling (Preassembled to the Motor Body (D))	1
G	Cross Pin (Preassembled to Coupling (F))	1
H	Clip (Preassembled to Coupling (F))	1
I	Coupling Screw (Preassembled to Coupling (F))	2

## HARDWARE CONTENTS (shown actual size)

---

AA



Set Screw

Qty. 1

BB



Acorn Nut

Qty. 1

## SAFETY INFORMATION

---

### READ AND SAVE THESE INSTRUCTION

- This fan is applicable only for gazebos or pagodas where a reliable mounting bracket is provided.
- Ensure the hanging structure can support a minimum weight of 65 lbs. If you are not sure the hanging structure can support the weight, do not attempt to install this fan as it may fall and cause damage to the fan or personal injury. Contact a qualified, licensed electrician for information regarding proper mounting methods in your area.
- Do not use water or a damp cloth to clean the fan.
- To reduce the risk of fire, electric shock or injury to people, disconnect the electric supply circuit to the fan before installing, cleaning and servicing the item.
- Unplug or disconnect the appliance from the power supply before servicing.
- To reduce the risk of fire or electric shock, do not use this fan with any solid-state speed control device.
- Use only on GFCI-protected receptacles.
- This product employs overload protection (fuse). A blown fuse indicates an overload or short-circuit situation. If the fuse blows, unplug the product from the outlet. Replace the fuse as per the user servicing instructions (follow product marking for proper fuse rating) and check the product. If the replacement fuse blows, a short circuit may have happened and the product should be discarded or returned to an authorized service facility for examination and/or repair.
- Do not operate any fan with a damaged cord or plug. Discard fan or return to an authorized service facility for examination and/or repair.
- Do not run cord under carpet. Do not cover cord with throw rugs, runners, or similar coverings.
- Do not route cord under furniture or appliances. Arrange cord away from traffic area and where it will not be tripped over.
- Do not strain the power cord.

## WARNING

- To reduce the risk of personal injury, do not insert foreign objects inside the cage of the fan. Do not damage or deform the cage of the fan.
- Power cord will not support the weight of a fixture; pulling power cord will result of the fixture falling, with the possibility of personal injury and the danger of electrical shock or fire.

## PREPARATION

Before beginning assembly of the product, make sure all parts are present. Compare parts with package contents list and hardware contents list. If any part is missing or damaged, do not attempt to assemble the product.

**Estimated Assembly Time:** 45 minutes

Tools Required for Assembly (not included): Philips Screwdriver, Step Ladder, Tape and Pliers.

## ASSEMBLY INSTRUCTIONS

**⚠ IMPORTANT:** To avoid over-pull to damage the wire and plug, turn off circuit breakers and wall switch to the fan supply line leads.

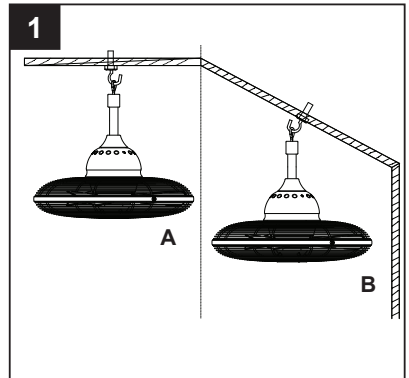
1. Choose the desired mounting method:

### A. Standard Mounting:

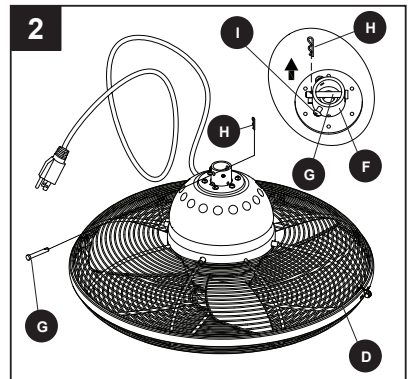
Note: For a ceiling higher than 8 ft., you can purchase an extension downrod.

**B. Angle Mounting:** Angle mounting is used for vaulted or angled ceilings.

Note: The preferred mounting method is to gazebos or pagodas. However, other mounting methods are also supported. For example, the fan can be mounted on a drywall, provided the surface supports a minimum weight of 65 lbs.



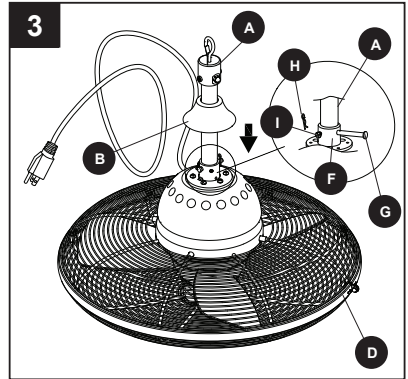
2. Remove the clip (H) and cross pin (G) from the coupling (F) on the motor body (D). Loosen the coupling screws (I) on the motor body (D).



allen + roth™

## ASSEMBLY INSTRUCTIONS

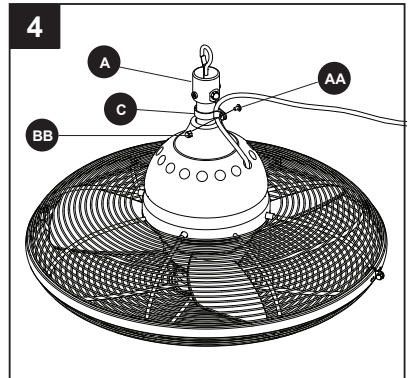
3. Insert downrod assembly (A) through coupling cover (B) into coupling (F). Make sure to align the hole in downrod assembly (A) with the hole in coupling (F). Install cross pin (G) through coupling (F) and downrod assembly (A). Insert clip (H) into cross pin (G) until it snaps into place. Tighten coupling screws (I) and slide the coupling cover (B) onto the motor body (D).



4. Secure the wire from motor body (D) to the downrod assembly (A) with rod clip (C). Use set screw (AA) and acorn nut (BB) to tighten rod clip (C).

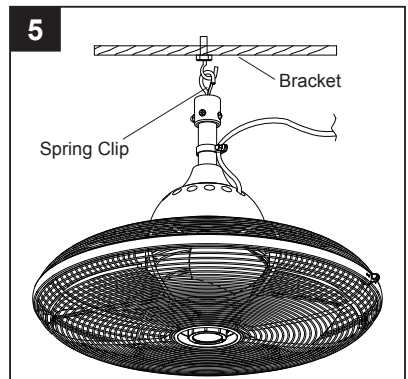
### Hardware Used

<b>AA</b>	Set Screw		x 1
<b>BB</b>	Acorn Nut		x 1



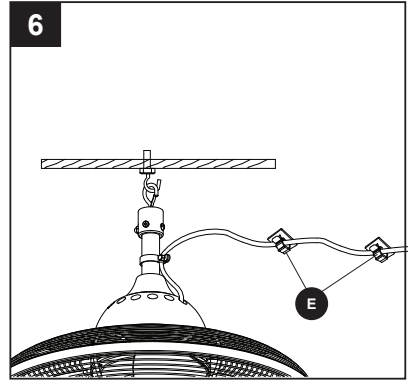
5. For ceiling-mount installations, attach a standard mounting bracket (not included) to a ceiling or outdoor gazebo/pagoda per the bracket instructions. Then, attach the fan assembly to the mounting bracket from the spring clip on downrod assembly (A).

**! WARNING:** Ensure the hanging structure can support a minimum weight of 65 lbs and allow enough depth for safety mounting. If you are not sure the hanging structure can support the weight, do not attempt to install this fan as it may fall and cause damage to the fan or personal injury.



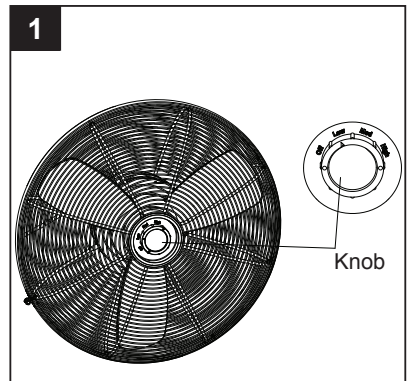
## ASSEMBLY INSTRUCTIONS

6. Peel the backing off the adhesive tape stripes on the bottom of the wire clips (E). Attach the wire clips (E) as needed to the wall or ceiling and press gently. Clip the power cord to the wire clips (E). Plug the power cord into a ground 3-prong outlet. Once you restore power to the house, the fan is ready to use.



## OPERATING INSTRUCTIONS

1. The knob on the bottom of the fan operates the fan speed as follows: High, Medium, Low, and Off.



**CARE AND MAINTENANCE**

**⚠ IMPORTANT:** Shut off the main power supply before beginning any maintenance. Do not use water or a damp cloth to clean the ceiling fan.

- Clean fan housing with only a soft brush or lint-free cloth to avoid scratching the finish. Clean blades with a lint-free cloth.
- This product employs overload protection (fuse). A blown fuse indicates an overload or short-circuit situation. If the fuse blows, unplug the product from the outlet and replace the fuse as below:
  - 1) Grab the plug and remove it from the receptacle or other outlet device. Do not unplug by pulling on cord.
  - 2) Slide open fuse access cover on top of attachment plug toward blades.
  - 3) Remove the fuse carefully.
  - 4) Replace fuse.

**⚠ CAUTION:** Risk of fire. Use only 5-amp, 125-volt fuses.

- 5) Slide closed the fuse access cover on top of attachment plug.

**⚠ CAUTION:** Risk of fire. Do NOT replace the attachment plug, as it contains a safety device (fuse) that should not be removed. Discard the product if the attachment plug is damaged.

**TROUBLESHOOTING**

PROBLEM	POSSIBLE CAUSE	CORRECTIVE ACTION
1. Fan does not move	1. Power is off or fuse is blown. 2. Bad wire connection.	1. Turn power on or check fuse. 2. Turn power off. Loosen canopy, check all connections.
2. Noisy operation	1. Blades are loose. 2. Blade is cracked. 3. Non-approved speed control.	1. Tighten all blade screws. 2. Replace blades (call customer service for special replacement). 3. Replace with an approved speed control device.
3. Excessive wobbling	1. Unbalanced blades. 2. Blades are loose. 3. Fan not securely mounted. 4. Fan too close to vaulted ceiling.	1. Switch with blade from opposite side. 2. Tighten all blade screws. 3. Turn off power. Carefully loosen canopy, and remount securely. 4. Lower or move fan. Extension downrods may be offered (call customer service).



**LIMITED LIFETIME WARRANTY**

The manufacturer warrants this fan to be free from defects in workmanship and material present at time of shipment from the factory for life (with limitations) from the date of purchase. This warranty applies only to the original purchaser. The manufacturer agrees to correct such defect at no charge or, at our option, replace the ceiling fan with a comparable or superior model.

To obtain warranty service, present a copy of your sales receipt as proof of purchase. All cost of removal and reinstallation are the expressed responsibility of the purchaser. Any damage to the ceiling fan by accident, misuse or improper installation, or by affixing accessories not produced by this warranty, are at the purchaser’s own responsibility. The manufacturer assumes no responsibility whatsoever for fan installation during the limited lifetime warranty. Any service performed by an unauthorized person will render the warranty invalid.

Due to varying climatic conditions, this warranty does not cover changes in brass finish, rusting, pitting, tarnishing, corroding or peeling. Brass finish fans maintain their beauty when protected from varying weather conditions.

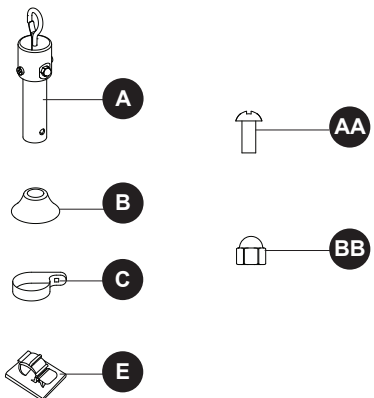
Any replacement of defective parts for the ceiling fan must be reported within the first year from the date of purchase. For the balance of the warranty, call our customer service department at 1-866-439-9800 for return authorization and shipping instructions so that we may repair or replace the ceiling fan. Any fan or parts returned improperly packaged is the sole responsibility of the purchaser. There is no further expressed warranty. The manufacturer disclaims any and all implied warranties. The duration of any implied warranty which cannot be disclaimed is limited to the lifetime limited period as specified in our warranty. The manufacturer shall not be liable for incidental, consequential or special damages arising at or in connection with product use or performance except as may otherwise be accorded by law. This warranty gives you specific legal rights, and you also have other rights which vary from state to state. This warranty supersedes all prior warranties.

Note: A small amount of “wobble” is normal and should not be considered a defect.

**REPLACEMENT PARTS LIST**

For replacement parts, call our customer service department at 1-866-439-9800, 8 a.m. - 8 p.m., EST, Monday - Sunday. You could also contact us at [partsplus@lowes.com](mailto:partsplus@lowes.com) or visit [www.lowespartsplus.com](http://www.lowespartsplus.com).

PART	DESCRIPTION	PART #
A	Downrod Assembly	A103-0230504
B	Coupling Cover	A106-0108504
C	Rod Clip	B170-0010001
E	Wire Clip	B166-0384003
AA	Set Screw	B166-0814324
BB	Acorn nut	B166-0813324



Printed in China  
 allen + roth™

