

Maintenance

- It is important to keep the unit as dry and clean as possible. You may clean the cabinet with a cloth or sponge moistened with mild soap and water. Do not attempt to use strong cleansers or solvents, as they may cause damage.

FCC Information

This device complies with Part 15 of the FCC rules. Operation is subject to the following two conditions: (1) this device may not cause harmful interference, and (2) this device must accept any interference received, including interference that may cause undesired operation.

This equipment complies with FCC radiation exposure limits set forth for an uncontrolled environment.

NOTE: This equipment has been tested and found to comply with the limits for a Class B digital device, pursuant to Part 15 of the FCC rules. These limits are designed to provide reasonable protection against harmful interference in a residential installation. This equipment generates, uses, and can radiate radio frequency energy and, if not installed and used in accordance with the instructions, may cause harmful interference to radio communications. However, there is no guarantee that interference will not occur in a particular installation. If this equipment does cause harmful interference to radio or television reception, which can be determined by turning the equipment off and on, the user is encouraged to try to correct the interference by one or more of the following measures:

- Reorient or relocate the receiving antenna.
- Increase the separation between the equipment and receiver.
- Connect the equipment into an outlet on a circuit different from that to which the receiver is connected.
- Consult the dealer or an experienced radio/TV technician for help.

WARNING: Changes or modifications to this unit not expressly approved by the party responsible for compliance could void the user's authority to operate the equipment.

CAN ICES-3 (B)/NMB-3(B)

Questions or Comments

- For questions or comments regarding this or other eKids products, please call our toll-free number: **1-888-TOP-TOYS**. Also visit our website: www.ekids.com

If problems persist, please do not attempt to repair unit; see warranty for factory service.

Limited One-Year Warranty

eKids, LLC warrants this product to be free from defects in workmanship and materials, under normal use and conditions, for a period of one (1) year from the date of original purchase.

Should this product fail to function in a satisfactory manner, it is best to first return it to the store where it was originally purchased. Should this fail to resolve the matter and service still be required by reason of any defect or malfunction during the warranty period, eKids will repair or, at its discretion, replace this product without charge. This decision is subject to verification of the defect or malfunction upon delivery of this product to the Factory Service Center authorized by Customer Service.

If service is required, please call Customer Service at 1-888-TOP-TOYS to obtain a Return Authorization Number and shipping instructions. A copy of the sales receipt is required to validate in-warranty coverage.

Disclaimer of Warranty

NOTE: This warranty is valid only if the product is used for the purpose for which it was designed. It does not cover (i) products which have been damaged by negligence or willful actions, misuse or accident, or which have been modified or repaired by unauthorized persons; (ii) cracked or broken cabinets, or units damaged by excessive heat; (iii) damage to digital media players, CD's or tape cassettes (if applicable); (iv) the cost of shipping this product to the Factory Service Center and its return to the owner.

This warranty is valid only in the United States of America and does not extend to owners of the product other than to the original purchaser. In no event will eKids or any of its affiliates, contractors, resellers, their officers, directors, shareholders, members or agents be liable to you or any third party for any consequential or incidental damages, any lost profits, actual, exemplary or punitive damages. (Some states do not allow limitations on implied warranties or exclusion of consequential damages, so these restrictions may not apply to you.) This warranty gives you specific legal rights, and you may also have other rights which vary from state to state.

Your acknowledgment and agreement to fully and completely abide by the above mentioned disclaimer of warranty is contractually binding to you upon your transfer of currency (money order, cashier's check, or credit card) for purchase of your eKids products.

© 2019 eKids, LLC
Questions? Visit www.ekids.com
or call 1-888-TOP-TOYS
1299 Main Street Rahway NJ 07065

DREAMWORKS

Trolls

WORLD TOUR

Model: TR-625

IDJ TROLLEX PARTY MIXER



Important Message to Customers

Thank you for purchasing one of our top-quality electronic products. Please take a moment to read through these instructions to help you understand the safe and proper way to use this toy to extend its usability.

Keep these instructions for future reference as they contain important information.

Installing The Batteries

ATTENTION: Batteries should only be installed by an adult.

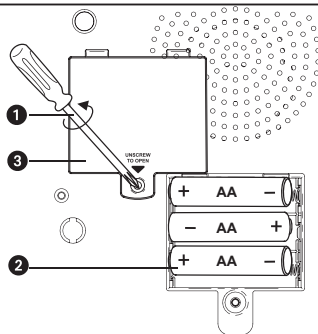
The unit comes with batteries already installed. These batteries are meant for in-store demonstration use only, and should be replaced with fresh batteries. To replace the batteries at home, follow these instructions for each blaster:

1. Use a Philips screwdriver to open the battery compartment door.
2. Install 3 "AA" size batteries into the compartment, making sure that the + and - polarities match the diagram printed inside.
3. Close the battery compartment door and tighten the battery door screw. Don't over tighten.

Battery Use Cautions and Tips for Safety & Best Performance

- Only use the recommended/supplied batteries or equivalent.
- Rechargeable batteries are to be removed from the toy before being charged.
- The supply terminals are not to be short-circuited.
- Use alkaline batteries for longer life.
- Do not mix old and new batteries, and do not mix alkaline, carbon-zinc or rechargeable nickel-cadmium batteries.
- Insert batteries with proper polarity (+/-) as indicated.
- Remove exhausted batteries from product.
- Recharge rechargeable batteries under adult supervision.
- Do not attempt to recharge non-rechargeable batteries.
- Do not open batteries or heat them beyond normal ambient temperatures.
- To prevent battery leakage or damage remove batteries from a product if it will not be used for a month or longer.
- Use extreme caution handling leaking batteries (avoid direct contact with eyes and skin). If battery leakage comes in contact with eyes, IMMEDIATELY flush the eye with lukewarm and gently flowing water for at least 30 minutes. If skin contact occurs, wash skin with clear water for at least 15 minutes. Seek medical attention if any symptoms occur.
- Store in cool, dry, ventilated area away from hazardous or combustible material.
- Do not dispose of batteries in the household trash or fire.
- Follow applicable laws and local regulations for the disposal and transportation of batteries.
- Rechargeable batteries are to be removed from the toy before being charged.
- The supply terminals are not to be short-circuited.
- Do not dispose of batteries in fire; batteries may leak or explode.
- Batteries should be replaced by an adult.
- Remove all packaging before giving to your child.

This unit ships in Demo Mode for in-store demonstration purposes. Slide the ON/OFF/DEMO Switch to the ON position to begin.



Party Mixer Modes

There are three modes of play on the Party Mixer: **Rhythm**, **SFX**, and **Speech**. Press one of the 3 mode buttons to start making music! When a mode is active, the respective button will stay lit.

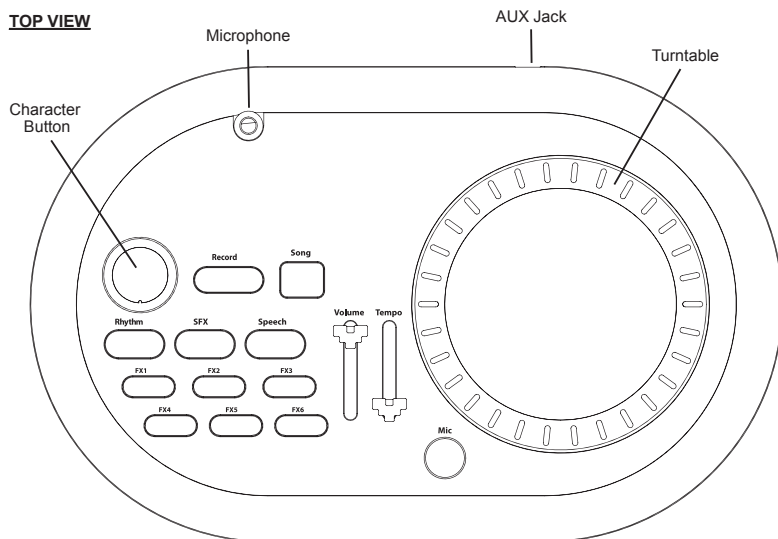


Sound Banks

Each mode has its own sound bank that you can activate by pressing **FX Buttons 1-6**. Try out different combinations as you edit and mix your very own music!



TOP VIEW



Features

- **Character Button:** Press to activate BeatDrop!
- **Song Button:** Press to play built-in music!
- **FX Buttons:** Press and hold for 2 seconds to loop when in SFX Mode! Press and continue to hold to loop when in Speech Mode!
- **Volume Switch:** Slide up and down to control volume!
- **Tempo Switch:** Slide up and down to change the tempo of the music and rhythms that are playing!
- **Turntable:** Spin to trigger 'DJ record scratch' SFX!
- **Mic Button:** Press and hold while you sing into the microphone!

Using AUX Mode

Connect an audio device to play your music through the Party Mixer's speakers! To use AUX mode:

1. Connect one end of a 3.5mm audio cable (not included) into the **AUX Jack** on the Party Mixer.
2. Connect the other end of the audio cable to the headphone jack on your audio device.
3. Use your audio device to play/pause, control volume and navigate tracks.

Recording Audio

Record and store up to 1 minute of audio. Plus, you can record your voice too!

1. Press and hold the **Record Button** to start recording audio. The button will flash while recording is in progress.
2. Once a recording is started, any input from the AUX jack, microphone, built-in song, background beats and SFX that are playing will be part of the recording.
3. To record your voice, press and hold the **Mic Button** as you sing into the built-in microphone.
4. Press the **Record Button** again to stop recording. Press once more to playback the audio.

Note: The **Record Button** will stay lit when a recording is stored. Any new recording you make will overwrite the previously stored audio. Press and hold the **Record Button** for 5 seconds to erase the current recording.