



EFIC117-SS, EFIC108, EFIC118,  
EFIC111-B-SILVER

# ICE MAKER

## *use & care*

Introduction.....	2
Important Safety Information.....	3
Safety Instructions.....	4
Description of Parts.....	5
Before First Use.....	6
Using Your Ice Maker.....	7
Care and Cleaning.....	8
Troubleshooting Guide.....	9
Product Specifications.....	10
Limited Warranty.....	11

## Welcome to our *family*

Thank you for bringing Frigidaire into your home! We see your purchase as the beginning of a long relationship together.

This manual is your resource for the use and care of your product. Please read it before using your appliance. Keep it handy for quick reference. If something doesn't seem right, the troubleshooting section will help you with common issues.

FAQs, helpful tips and videos, cleaning products, and kitchen and home accessories are available at [www.frigidaire.com](http://www.frigidaire.com).

When you unpack your ice maker, you may find a small amount of water inside.

Your unit is brand new.

Any water you may find is from the standard quality control testing that all of our ice makers undergo as part of the manufacturing process.

Please follow the initial preparation and cleaning instructions as detailed in the User Guide prior to using your new icemaker.



### **Installation Checklist**

#### **Doors**

- Door seals completely to cabinet on all sides

#### **Leveling**

- Cabinet is setting solid on all corners

#### **Electrical Power**

- House power turned on

#### **Ice Maker**

- House water supply connected to ice maker
- No water leaks present at all connections - recheck in 24 hours
- Ice maker is turned ON
- Ice & water dispenser operates correctly

#### **Final Checks**


- Shipping material removed



## WARNING

Please read all instructions before using this appliance.

## Safety Definitions

 This is the safety alert symbol. It is used to alert of potential personal injury hazards. Obey all safety messages that follow this symbol to avoid possible injury or death.



## DANGER

DANGER indicates an imminently hazardous situation which, if not avoided, will result in death or serious injury.



## WARNING

WARNING indicates a potentially hazardous situation which, if not avoided, could result in death or serious injury.



## CAUTION

CAUTION indicates a potentially hazardous situation which, if not avoided, may result in minor or moderate injury.



## IMPORTANT

IMPORTANT indicates installation, operation or maintenance information which is important but not hazard-related.

## Safety Instructions

- DO NOT store or use gasoline, or other flammable liquids in the vicinity of this or any other appliance. Read product labels for warnings regarding flammability and other hazards.
- Avoid contact with any moving parts of automatic ice maker.
- Remove all staples from the carton. Staples can cause severe cuts, and also destroy finishes if they come in contact with other appliances or furniture.

## Child Safety

Destroy or recycle the carton, plastic bags, and any exterior wrapping material immediately after the Ice Maker is unpacked. Children should **NEVER** use these items to play. Cartons covered with rugs, bedspreads, plastic sheets or stretch wrap may become airtight chambers, and can quickly cause suffocation.

# 4

## SAFETY INSTRUCTIONS

---

This appliance must be plugged into at least a 15 AMP 110-115 VOLT 60 Hz GROUNDED OUTLET. This appliance must be grounded. It is equipped with a 3-wire cord having a grounding plug. The plug must be plugged into an outlet that is properly installed and grounded.

### WARNING!

Improper use of grounded wire can result in the risk of electric shock. Consult a physician if necessary. Do not attempt to defeat this safety feature by modifying the plug.

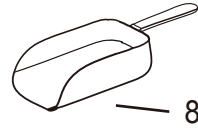
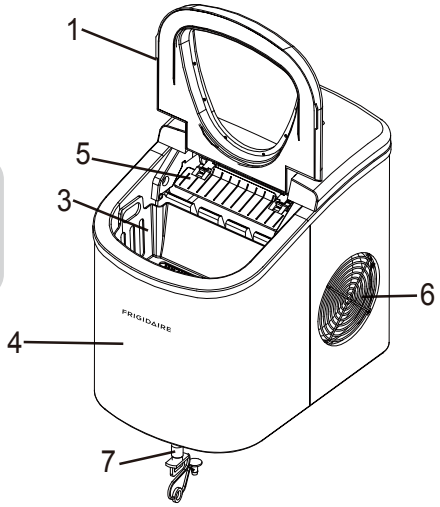
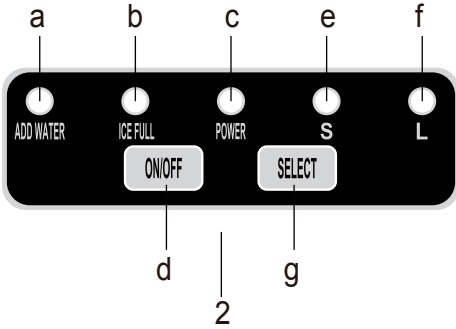
Avoid the use of an extension cord because it may overheat and cause a risk of fire. However, if it is necessary to use an extension cord:

- A. Use only 3-wire extension cords with 3-blade grounding plug.
- B. The marked rating of an extension cord must be equal to or greater than the rating of this appliance.
- C. It should be positioned such that it does not drape over the counter or tabletop where it can be pulled on by children intentionally.

Attempting any maintenance or cleaning:

To minimize the possibility of electric shock, unplug this appliance from the power supply or disconnect at the household distribution panel by removing the fuse or switching off the circuit breaker before attempting any maintenance or cleaning.

**NOTE:** Pressing the Power ON/OFF button to an off position does not disconnect the appliance from the power supply.



1. Cover
2. Control Panel
  - a. Add Water Indicator Light
  - b. Ice Full Indicator Light
  - c. Power Indicator Light
  - d. On/Off Button
  - e. 'S' Small Ice Size Indicator Light
  - f. 'L' Large Ice Size Indicator Light
  - g. Select Button - to choose ice size
3. Ice Basket
4. Water Reservoir (below Ice Basket)
5. Ice Shovel and Evaporator Fingers (behind Ice Shovel)
6. Air Outlet
7. Drain Plug
8. Ice Scoop

# 6

## BEFORE FIRST USE

---

This portable ice maker uses a fully automatic control system, with an advanced microcomputer for easy and convenient ice making. Making ice is simple and fast. Just add water, plug into an outlet, and press the ON button. You can select one of the two ice cube sizes with the touch of a button. When first turning on the unit or during icemaking cycles, the compressor will stay idle for 3 minutes, while energizing.

There are warning indicators that alert you to fill water when the reservoir is empty and to remove ice when the storage basket is full. The ice maker also has built-in safeguards that can limit accidental damage, automatically shutting down the system when necessary.

### **Please read carefully.**

1. The incline angle of the ice maker cabinet should not exceed 45 degree angle during transportation or use. Do not turn the ice maker upside down. Doing so could cause the compressor or refrigerating system to operate incorrectly. When the ice maker is moved or transported, please allow time for the fluids in the compressor to settle. Before using the ice maker for the first time, please wait 2 hours after the unit has been leveled and positioned in its proper place.
2. Please ensure the ice maker is level and on a stable table or platform to avoid malfunction.
3. The machine must be placed on a dry and level surface with sufficient ventilation, far from heat sources such as ovens, heaters and corrosive gases. Leave an 8-inch clearance on all sides of the ice maker for proper ventilation.
4. Do not fill the water reservoir with hot water. This may damage the ice maker. It is best to fill the water reservoir with water of room temperature or lower.

1. Ensure that the Drain Plug underneath the front of the unit is closed and the Water Tube Screen is in place.
2. Plug the Ice Maker into the wall outlet and the green power indicator light will blink (approximately every 5 seconds).
3. Open the Cover and remove the Ice Basket.
4. Fill the Water Reservoir.  
NOTE: Do not fill above the MAX water level mark at the back of the Water Reservoir.
5. Replace the Ice Basket and close the Cover.
6. Press the Power Button and the green indicator light will remain on. To change between either the small or large ice size, press the Select Button until the light is lit up beside the desired ice size.
7. The first ice making cycle will last approximately 8 - 13 minutes depending on the ice size that is selected. The ice making cycle starts with water being pumped into the Water Tray situated below the Evaporator Fingers. Over the next 8 - 13 minutes ice forms on the Evaporator Fingers. Once this has completed, the Ice Tray will tilt backwards and the remaining water in the Ice Tray is drained back into the Water Reservoir. The ice cubes are then dropped from the Evaporator Fingers and pushed forward into the Ice Basket by the Ice Shovel. The Ice Tray will automatically move back into position under the Evaporator Fingers and start the next cycle.
8. The 'Ice Full' LED light will light up when the ice basket is full and the Ice Maker will stop the ice making cycle automatically. Gently remove the ice from the Ice Basket with the Ice Scoop. Once the Ice Basket has been emptied and the Cover closed, the Ice Maker will restart its ice making function automatically.  
IMPORTANT: Wait 3 minutes then press the Power Button to restart the ice making function.
9. The 'Add Water' LED light will light up when there is no more water in the Water Reservoir and the ice making cycle will stop automatically. Press the Power Button once (the Power Button will flash every 5 seconds). Remove the Ice Basket and add water to the Water Reservoir.  
NOTE: Do not fill above the MAX water level mark at the back of the Water Reservoir. Replace the Ice Basket and close the Cover.  
IMPORTANT: Wait 3 minutes then press the Power Button to restart the ice making function.
10. When you have finished making ice, transfer the ice to a freezer.  
NOTE: The ice will last in the Ice Maker for up to a 18 hour period, depending on the ambient temperature. Stop the ice making cycle by pressing the Power Button. Unplug the unit from the wall outlet. Open the Cover and allow the Ice Maker to reach room temperature and follow the directions in the Care and Cleaning section.

# 8

## CARE AND CLEANING

---

1. Stop the Ice Making Cycle by pressing the Power Button and the green LED light will go out. Unplug the Ice Maker from the wall outlet. Allow the unit to warm up to room temperature.
2. If the Water Tray is not in the vertical position behind the Evaporator Fingers, gently push the Water Tray back so that all water drains into the Water Reservoir.
3. Open the Drain Plug to drain out excess water.
4. Remove the Ice Basket.
5. Remove the Water Tube Screen and rinse under running water.
6. Clean the Ice Maker interior with a soft cloth dampened in warm water and vinegar. Rinse with a clean damp cloth.
7. Replace the Drain Plug and the Water Tube Screen. Wash the Ice Basket and Ice Scoop in warm soapy water. Rinse and dry.
8. Clean the exterior of the Ice Maker with a soft damp cloth. Use a mild dishwashing soap, if necessary.
9. **IMPORTANT NOTE:** Do not clean the Evaporator Fingers.



PROBLEM	POSSIBLE CAUSES	SOLUTION
"ADD WATER" indicator light turns on.	Low water level or lack of water.	Add water and the ice maker will operate automatically.
There is no indication on the control panel.	Disconnection of plug.	Check that the plug is plugged into the electrical outlet.
"Ice Full" and "Add Water" indicators light up simultaneously.	Electrical Power Surge or There may be air in the lines or the lines are blocked. The water tank cannot detect water level.	Turn off the ice maker, pull out the electric plug, fill it with water if needed, replace the plug and then restart the unit. or Inspect relative parts; remove the drain cap on the back of the unit and drain out a small amount of water. Replace the drain cap and attempt to use the unit again. or check if ice is blocking the ice pusher. Turn off the unit; let the ice melt and restart.
The "Ice Full" indicator light is on.	The ice basket is full.	Remove ice from the ice storage basket to make more.

# 10

## TROUBLESHOOTING GUIDE

---

The unit does not operate.	Power is not being supplied to the unit. The ambient temperature or the water temperature is too high.	Plug the unit into a standard 110/120 Volt, 60 Hertz power source. Please run the ice maker in temperatures below 90°F and/or pour colder water into the water reservoir.
Ice blockage. No ice is being made.	Making ice takes too much time.	Turn off the machine. Start the machine after the ice block melts. Or change the size selector to small ice cubes.
The ice making cycle seems normal but no ice is produced.	There is refrigerant leakage. A pipe in the cooling system is blocked.	Consult a qualified technician or call Customer Service.

## PRODUCT SPECIFICATIONS

---

Input Voltage: 115V 60Hz

Power Consumption: 90-120 W

Daily Ice Output: 12 KGS/24H

Ice-Making Amount Per Time: 9 PCS

Refrigerant: R600a

Dimensions

- Product Depth (IN.) 14.1
- Product Height (IN.) 12.9
- Product Width (IN.) 9.5

To make a warranty claim, please email [support@curtiscs.com](mailto:support@curtiscs.com) or call 1-800-968-9853.

## 1 Year warranty

This product is warranted to be free from defects in material and workmanship for a period of one (1) year from the date of original purchase. During this period, your exclusive remedy is repair or replacement of this product or component found to be defective, at our option; however, you are responsible for all costs associated with returning the product to us. If the product or component is no longer available, we will replace with a similar one of equal or greater value. Prior to a replacement being sent, the product must be rendered inoperable or returned to us.

This warranty does not cover glass, filters, wear from normal use, use not in conformity with the printed directions, or damage to the product resulting from accident, alteration, abuse, or misuse. This warranty extends only to the original consumer purchaser or gift recipient. Keep the original sales receipt, as proof of purchase is required to make a warranty claim. This warranty is void if the product is used for other than single-family household use or subjected to any voltage and waveform other than as on the specified rating on the label (e.g., 120V-60Hz).

We exclude all claims for special, incidental, and consequential damages caused by breach of express or implied warranty. All liability is limited to the amount of the purchase price. Every implied warranty, including any statutory warranty or condition of merchantability or fitness for a particular purpose, is disclaimed except to the extent prohibited by law, in which case such warranty or condition is limited to the duration of this written warranty. This warranty gives you specific legal rights. You may have other legal rights that vary depending on where you live. Some states or provinces do not allow limitations on implied warranties or special, incidental, or consequential damages, so the foregoing limitations may not apply to you.

For faster service, locate the model, type, and serial numbers on your appliance.

**ATTACH YOUR PROOF OF PURCHASE HERE, PROOF OF PURCHASE IS REQUIRED TO OBTAIN WARRANTY SERVICE.**

Please have the following information available when you contact the Support Team:

- Name, address and telephone number.
- Model number and serial number.
- A clear, detailed description of the problem.
- Proof of purchase including dealer or retailer name, address and date of purchase.

**CURTIS**  
INTERNATIONAL LTD

**Canada**  
CURTIS INTERNATIONAL LTD  
7045 BECKETT DRIVE, UNIT 15  
MISSISSAUGA, ONTARIO  
L5S 2A3

# FRIGIDAIRE®

welcome *home*

Our home is your home. Visit us if you need help with any of these things:



owner support



service

[support@curtiscs.com](mailto:support@curtiscs.com)

1-800-968-9853



EFIC117-SS, EFIC108, EFIC118,  
EFIC111-B-SILVER


## APPAREIL À GLAÇON

# *utilisation & se soucier*

Consignes de Sécurité Importantes.....	2
Instructions de Sécurité.....	4
Description des Pièces.....	5
Avant le Premier Usage.....	6
Mode D'emploi.....	7
Nettoyage et Entretien.....	8
Problèmes et Solutions.....	9
Spécifications du Produit.....	10
Carte de Garantie.....	11



Lorsqu'on utilise un appareil électrique, il faut toujours respecter certaines règles de sécurité fondamentales, notamment les suivantes

- Lire toutes les instructions.
- Ne pas toucher aux surfaces chaudes. Utiliser les poignées ou les boutons.
- Pour éviter le risque de secousses électriques, ne pas immerger le cordon, la fiche ou l'appareil dans l'eau ou tout autre liquide.
- Cet appareil ne doit pas être utilisé par des personnes (y compris des enfants) dont les facultés physiques, sensorielles ou mentales sont diminuées ou qui manquent d'expérience ou de connaissances, à moins qu'elles soient sous la surveillance d'une personne responsable qui les guidera dans l'utilisation de l'appareil.
- Une surveillance étroite est nécessaire quand l'appareil est utilisé par ou près des enfants. S'assurer que les enfants ne puissent jouer avec l'appareil.
- Débrancher de la prise murale quand l'appareil n'est pas utilisé, avant le nettoyage ou l'entretien.
- Ne faire fonctionner aucun appareil avec un cordon ou une fiche endommagé, après que l'appareil ait mal fonctionné ou ait été endommagé de quelque façon. Retourner l'appareil au fabricant pour être examiné, réparé ou ajusté. Tout service doit être exécuté par un représentant autorisé.
- Ne pas utiliser l'appareil à l'extérieur.
- Ne pas laisser pendre le cordon du bord de la table ou du comptoir, ni toucher des surfaces chaudes. Ne pas laisser le cordon traverser un tapis ou tout autre isolant thermique. Ne pas couvrir le cordon.
- Ne pas placer cet appareil sur ou près d'un brûleur à gaz ou électrique chaud, ni dans un four chaud.
- Toujours attacher le cordon à l'appareil d'abord, ensuite le brancher dans la prise murale. Avant de débrancher, mettre la commande à la position " OFF " puis retirer le cordon de la prise murale.
- Ne pas utiliser l'appareil à d'autres fins que celle pour laquelle il a été conçu.
- Ne pas laisser l'appareil sans surveillance lorsqu'il est en fonction.
- Brancher l'appareil à glaçons dans une prise murale triphasée, avec mise à la terre, dédiée exclusivement à cet appareil. Aucun autre appareil ne doit être branché dans la même prise. S'assurer que la fiche est bien insérée dans la prise murale.
- Si l'appareil est apporté de l'extérieur durant l'hiver, attendre quelques heures avant de l'utiliser. Ne l'utiliser que lorsque l'appareil a atteint la température ambiante.
- Ne pas nettoyer l'appareil avec des liquides inflammables. Les émanations peuvent causer un feu ou une explosion.
-  **ATTENTION** : Ne pas toucher à l'évaporateur lorsque l'appareil fabrique des glaçons. On risque des brûlures.
- **DANGER** – Risque d'incendie ou d'explosion. Fluide frigorigène inflammable utilisé. Ne pas utiliser de dispositifs mécaniques pour dégivrer la machine de glaçons. Ne pas percer le tube de réfrigérant.

# 3

## CONSIGNES DE SÉCURITÉ IMPORTANTES

---

- **DANGER** – Risque de feu ou d'explosion. Fluide frigorigène inflammable utilisé. Pour être réparé uniquement par le personnel de service formé. Ne pas percer le tube de réfrigérant.
- **ATTENTION**– Risque d'incendie ou d'explosion. Fluide frigorigène inflammable utilisé. Consultez le manuel de réparation / Guide d'utilisation avant de procéder à l'installation ou au service de ce produit. Toutes les précautions de sécurité doivent être suivies.
- **ATTENTION**– Risque d'incendie ou d'explosion. Éliminer les biens conformément aux règlements fédéraux ou locaux. Fluide frigorigène inflammable utilisé.
- **ATTENTION**– Risque d'incendie ou d'explosion en raison de la perforation des tubes de réfrigérant, suivre attentivement les instructions de manutention. Fluide frigorigène inflammable utilisé.
- La machine à glaçons doit être installée conformément à la norme de sécurité pour les systèmes de réfrigération, ASHRAE15. La machine à glaçons ne doit pas être installée dans les couloirs ou les couloirs des bâtiments publics.
- Si l'unité est en panne doit être maintenue, le remplacement par des composants similaires et l'entretien doit être effectué par le personnel de service agréé par l'usine, afin de minimiser les risques d'allumage en raison de pièces incorrectes ou d'un service incorrect.

**CONSERVER CES INSTRUCTIONS**

**USAGE DOMESTIQUE SEULEMENT**

Cet appareil doit être branché à une PRISE MISE À TERRE d'au moins 15 AMP 115 VOLT 60 Hz. Cet appareil doit être mis à terre. Il est muni d'un câble d'alimentation à 3 fils avec une fiche mise à terre. La fiche doit être branchée à une prise installée et mise à terre correctement.

### AVERTISSEMENT!

Si la fiche n'entre pas dans la prise murale essayez dans l'autre sens. Si cela ne marche toujours pas ne tentez rien, contactez un électricien qualifié. N'essayez pas de régler le problème vous-même.

Évitez d'utiliser une rallonge car elle risque de surchauffer et d'entraîner un risque d'incendie. Cependant, si vous devez utiliser une rallonge:

- A. Utilisez uniquement une rallonge à trois lames, avec trois trous.
- B. Le voltage de la rallonge doit être au moins égal à celui de l'appareil.
- C. La rallonge ne doit pas pendre à travers la table ou le plan de travail où les enfants peuvent tirer ou trébucher dessus.

### Entretien et nettoyage:

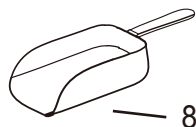
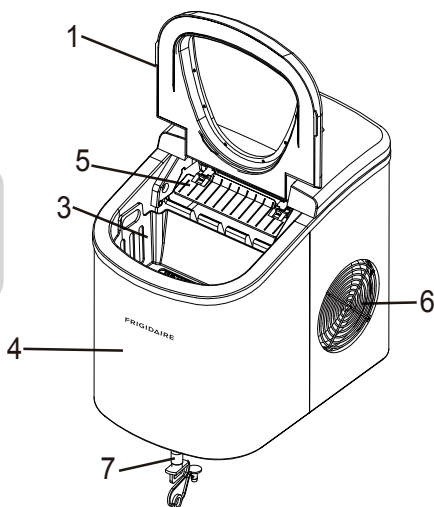
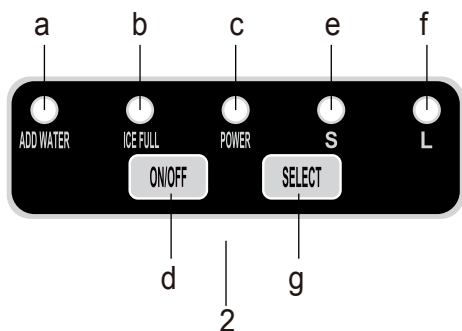
Pour minimiser les risques de choc électriques, débranchez cet appareil de la prise murale ou déconnectez le courant domestique en enlevant le fusible ou en éteignant le disjoncteur avant toute tentative d'entretien ou de nettoyage.

**N.B.:** Le fait d'éteindre l'appareil en appuyant sur le bouton de mise en marche (ON/OFF) NE DÉCONNECTE PAS l'appareil du courant.



# 5

## DESCRIPTION DES PIÈCES



1. Couverture
2. Tableau des commandes
  - a. voyant "Add Water"
  - b. voyant "Ice Full"
  - c. Voyant lumineux "en circuit"
  - d. Interrupteur
  - e. "S" voyant pour le format "petit"
  - f. "L" voyant pour le format "grand"
  - g. Bouton "Select" - pour choisir la grosseur du glaçon
3. Panier à glaçons
4. Réservoir à eau (sous le panier à glaçons)
5. Pelle à glaçons et bandes de l'évaporateur (derrière la pelle à glaçons)
6. Sortie d'air
7. Obturateur et bouchon de vidange d'eau
8. Cuiller à glaçons

Cette machine à glaçons portable utilise un système de contrôle entièrement automatique avec une technique de pointe pour une fabrication de glaçons facile et pratique. Faire des glaçons est simple et rapide. Ajoutez de l'eau, branchez et appuyez sur le bouton ON. Le voyant lumineux affichera la minuterie pour fabriquer 12 glaçons de la taille choisie. Lors de la première mise en marche de l'appareil ou durant les cycles de fabrication des glaçons le compresseur restera à l'arrêt pendant 2 minutes.

Des indicateurs vous indiquent lorsque le réservoir d'eau est vide et lorsque le compartiment de stockage des glaçons est plein. La machine à glaçons possède également des sécurités intégrées qui peuvent limiter les dommages accidentels en arrêtant le système quand nécessaire.

### **À lire attentivement.**

1. Lors du transport l'angle d'inclinaison ne doit pas excéder 45 degrés. Ne tournez pas la machine à l'envers cela peut causer un mauvais fonctionnement du compresseur et du système de réfrigération. Lorsque la machine est bougée ou transportée laissez aux liquides dans le compresseur le temps de se stabiliser. Attendez 10 heures après avoir installé la machine à glaçons avant de l'utiliser pour la première fois.
2. La machine à glaçons doit être posée sur une surface plane ou une plate-forme pour éviter qu'elle fonctionne mal.
3. La machine à glaçons doit être posée sur une surface plane et sèche loin de toute source de chaleur, radiateurs ou corrosifs. Laissez 20 cm sur tous les côtés de l'appareil pour une bonne ventilation.
4. Ne remplissez pas le réservoir d'eau avec de l'eau chaude. Cela risque d'endommager la machine à glaçons. Il vaut mieux remplir le réservoir avec de l'eau à température ambiante ou un peu plus froide.

# 7

## MODE D'EMPLOI

---

1. S'assurer que l'obturateur de vidange, situé sous le devant de l'appareil soit fermé et que le filtre du tuyau d'alimentation soit bien installé.
2. Brancher l'appareil dans la prise murale : le voyant lumineux vert clignote (environ toutes les 5 secondes).
3. Ouvrir le couvercle et retirer le panier à glaçons.
4. Remplir le réservoir d'eau. N.B. : Ne pas remplir au-delà de la marque MAX du niveau d'eau, indiquée à l'arrière du réservoir.
5. Replacer le panier à glaçons et fermer le couvercle.
6. Appuyer sur le bouton de mise en marche et le voyant vert reste allumé. Pour changer la grosseur des glaçons, appuyer sur le bouton « Select » jusqu'à ce que la lumière s'allume à la grosseur désirée.
7. Le premier cycle de fabrication des glaçons dure environ de 8 à 13 minutes, dépendant de la grosseur choisie. Le cycle se déroule comme suit : Une pompe achemine l'eau dans le plateau situé sous les bandes de l'évaporateur. Durant les 8 à 13 minutes suivantes, les glaçons se forment sur les bandes de l'évaporateur. Lorsque cette opération est complétée, le plateau s'incline vers l'arrière et l'eau qui reste dans le plateau est retournée dans le réservoir. Les glaçons tombent des bandes de l'évaporateur et sont poussés vers l'avant, à l'aide de la pelle, dans le panier à glaçons. Le plateau est replacé automatiquement sous les bandes de l'évaporateur et le prochain cycle de fabrication peut commencer.
8. Lorsque le panier est plein, le voyant DEL "Ice Full" s'allume et l'appareil s'arrête automatiquement. Enlever doucement les glaçons du panier à l'aide de la cuiller à glaçons. Une fois le panier vidé et le couvercle fermé, l'appareil recommence la fabrication de glaçons automatiquement.  
**IMPORTANT** : Attendre 3 minutes, ensuite appuyer sur l'interrupteur pour recommencer le cycle.
9. Lorsqu'il n'y a plus d'eau dans le réservoir, l'appareil s'arrête automatiquement et le voyant DEL « Add Water » s'allume. Appuyer une fois sur le bouton de mise en marche (le bouton clignote toutes les 5 secondes). Retirer le panier à glaçons et ajouter de l'eau au réservoir.  
**REMARQUE**: Ne pas remplir au-delà de la ligne, MAX indiquée à l'arrière du réservoir. Replacer le panier et fermer le couvercle.  
**IMPORTANT** : Attendre 3 minutes et appuyer sur le bouton de mise en marche pour recommencer le cycle de fabrication.
10. Lorsque les glaçons sont fabriqués, les transférer dans un congélateur.  
**REMARQUE** : Les glaçons peuvent être conservés dans l'appareil pour une période allant jusqu'à 18 heures, dépendant de la température ambiante. Ouvrir le couvercle et laisser l'appareil atteindre la température ambiante. Suivre les directions de la Section « Nettoyage et Entretien ».

1. Arrêter le cycle de fabrication en appuyant sur le bouton de mise en marche et le voyant vert DEL s'éteint. Débrancher l'appareil de la prise murale. Laisser l'appareil revenir à la température ambiante.
2. Si le plateau ne se trouve pas en position verticale derrière les bandes de l'évaporateur, le replacer doucement pour que l'eau se déverse dans le réservoir.
3. Retirer le panier à glaçons.
4. Jeter l'eau qui reste.
5. Retirer le filtre du tuyau d'alimentation et le rincer sous l'eau courante.
6. Le filtre du tuyau d'alimentation situé au fond du réservoir à eau devrait être nettoyé régulièrement. Retirer le filtre et le rincer sous l'eau courante. Au besoin, le nettoyer avec une brosse douce. Replacer le filtre après avoir nettoyé le réservoir à eau.
7. Replacer l'obturateur à vidange et le filtre du tuyau d'alimentation. Laver le panier à glaçons et la pelle dans une eau chaude, savonneuse. Rincer et assécher.
8. Nettoyer l'extérieur de l'appareil avec un linge doux, humide. Au besoin, utiliser un détergent à vaisselle.
9. AVIS IMPORTANT : Ne pas nettoyer les bandes de l'évaporateur.

# 9

## PROBLÈMES ET SOLUTIONS

PROBLÈME	CAUSES POSSIBLES	SOLUTION
Le voyant lumineux affiche "PAS D'EAU"	Il n'y a pas d'eau dans le réservoir d'eau ou le niveau d'eau est trop bas.	Ajoutez de l'eau et la machine se mettra en marche automatiquement.
Il n'y a pas d'indication sur le tableau de commande	L'appareil n'est pas branché.	Vérifiez que l'appareil est bien branché dans la prise murale.
Les voyants lumineux affiche "FULL/PLEIN" et "POUR/VERSER" en même temps.	Il y a une pointe de courant ou Il y a peut-être un problème avec les lignes. Le réservoir d'eau ne peut pas détecter le niveau d'eau.	Éteignez la machine à glaçons. Débranchez-la. Remplissez le réservoir d'eau avec de l'eau et rallumez l'unité. Ou inspectez les pièces ; retirez le bouchon de vidange à l'arrière de l'appareil et vidangez un peu d'eau. Remettez le bouchon de vidange en place et essayez d'utiliser la machine de nouveau. Ou vérifiez si des glaçons bloquent le poussoir. Éteignez l'appareil. Laissez la glace fondre et rallumez l'appareil.
Le voyant lumineux affiche "FULL/PLEIN"	Le compartiment de stockage des glaçons est plein.	Retirez les glaçons du compartiment de stockage des glaçons pour en faire plus.

L'appareil ne fonctionne pas.	L'appareil ne reçoit pas de courant. La température ambiante ou la température de l'eau est trop élevée.	Branchez l'appareil dans une prise standard 110/120 V, 60 Hz. Faites fonctionner la machine à glaçons à moins de 32°C et/ou mettez de l'eau plus froide dans le réservoir.
Blocage de glaçons. Aucun glaçon n'est fabriqué.	La fabrication des glaçons prend trop de temps.	Arrêtez la machine. Après la fonte du bloc de glace remettez la machine en marche. Ou changez la taille de glaçons sélectionnée pour des petits glaçons.
Le cycle de fabrication de glaçons semble normal mais aucun glaçon n'est fabriqué.	Il y a une fuite de réfrigérant. Le système de réfrigération est bouché.	Contactez un technicien agréé ou appelez le service après-vente.

## SPÉCIFICATIONS DU PRODUIT

Tension D'entrée: 115V 60Hz

Consommation Électrique: 90-120 W

Débit Quotidien de Glace: 12 KGS / 24H

Quantité de Marquage de Glace Par Temps: 9 Pièces

Réfrigérant: R600a

Dimensions

- Profondeur du Produit (EN.) 14,1
- Hauteur du Produit (EN) 12,9
- Largeur du Produit (EN) 9,5

Pour faire une demande de garantie, veuillez envoyer un courriel électronique à support @curtiscs.com ou appeler le 1-800-968-9853.

1 ans de garantie

Ce produit est garanti contre tout défaut de matériel et de fabrication pendant une période de un (1) ans à compter de la date d'achat d'origine. Pendant cette période, votre seul recours est la réparation ou le remplacement de ce produit ou composant jugé défectueux, à notre choix; Cependant, vous êtes responsable de tous les coûts associés au retour du produit. Si le produit ou le composant n'est plus disponible, nous le remplacerons par un produit similaire de valeur égale ou supérieure. Avant l'envoi d'un produit de remplacement, le produit doit être rendu inutilisable ou nous être renvoyé.

Cette garantie ne couvre pas le verre, les filtres, l'usure normale, une utilisation non conforme aux instructions imprimées, ni les dommages matériels résultant d'un accident, d'une altération, d'une utilisation abusive ou abusive. Cette garantie s'applique uniquement à l'acheteur initial ou au destinataire du cadeau. Conservez le reçu de vente original, car une preuve d'achat est nécessaire pour faire une réclamation de garantie. Cette garantie est annulée si le produit est utilisé pour un usage autre que domestique ou s'il est soumis à une tension ou une forme d'onde autre que celle indiquée sur l'étiquette (par exemple, 120V - 60Hz).

Nous excluons toute réclamation pour des dommages spéciaux, accessoires et consécutifs causés par une violation de la garantie explicite ou implicite. Toute responsabilité est limitée au montant du prix d'achat. Toute garantie implicite, y compris toute garantie légale ou condition de qualité marchande ou d'adéquation à un usage particulier, est refusée sauf dans la mesure où la loi l'interdit, auquel cas cette garantie ou condition est limitée à la durée de cette garantie écrite. Cette garantie vous confère des droits légaux spécifique. Vous pouvez avoir d'autres droits légaux qui varient selon votre lieu de résidence. Certains états ou provinces n'autorisant pas les limitations de garanties implicites ou de dommages spéciaux, accessoires ou indirects, les limitations ci-dessus peuvent ne pas vous concerner.

Pour un service plus rapide, trouver le modèle, le type et les numéros de série sur votre appareil.

JOIGNEZ VOTRE PREUVE D'ACHAT ICI, UNE PREUVE D'ACHAT EST NÉCESSAIRE POUR OBTENIR UN SERVICE DE GARANTIE.

Veuillez avoir l'information suivantes lorsque vous contactez l'équipe d'assistance :

- Nom, adresse et numéro de téléphone.
- Numéro de modèle et numéro de série.
- Une description claire et détaillée du problème.
- Preuve d'achat comprenant le nom, l'adresse et la date d'achat du revendeur ou du détaillant.

**CURTIS**  
INTERNATIONAL LTD

**Canada**  
CURTIS INTERNATIONAL LTD  
7045 BECKETT DRIVE, UNIT 15  
MISSISSAUGA, ONTARIO  
L5S 2A3

Bienvenue à la **maison**

Notre maison est votre maison. Visitez-nous si vous besoin d'aide pour l'une de ces choses:



soutien du propriétaire



un service

[support@curtiscs.com](mailto:support@curtiscs.com)

1-800-968-9853