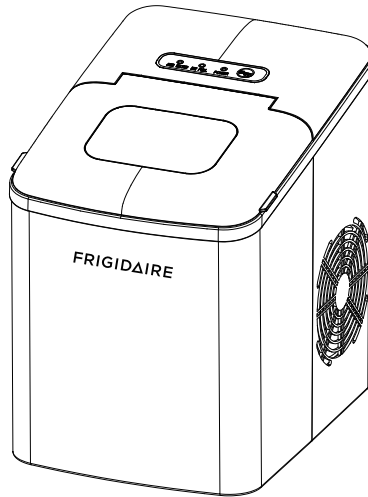


# FRIGIDAIRE

26 LBS

12 KGS

## ICE MAKER



### TABLE OF CONTENTS

IMPORTANT SAFEGUARDS.....	1
KNOW YOUR ICE MAKER.....	4
BEFORE FIRST USE.....	5
USE YOUR ICE MAKER.....	6
CLEANING AND MAINTENANCE.....	7
TROUBLESHOOTING .....	9
TECHNICAL PARAMETERS.....	10
WARRANTY CARD.....	11

\* This ice maker is not designed to keep ice frozen. After each use, remove all ice cubes, drain the water.

**FRIGIDAIRE** is a pending or registered trademark used under license from Electrolux Home Products, Inc.

For service assistance and product information, please call: 1-800-968-9853.  
Curtis International Ltd.

7045 BECKETT DRIVE, UNIT 15, MISSISSAUGA, ON, L5S 2A3 [www.curtisint.com](http://www.curtisint.com)

### USER MANUAL

# IMPORTANT SAFEGUARDS



When using electrical appliances, basic safety precautions should always be followed including the following

To reduce the risk of fire, explosion, electric shock, or injury when using your ice maker, follow these important safety instructions:

- Before using check that the voltage power corresponds to the one shown on the appliance nameplate.
- Do not remove any safety, warning, or product information labels from your ice maker.
- Plug the ice maker into an exclusive grounded power outlet. No other appliance should be plugged into the same outlet. Be sure that the plug is fully inserted into the receptacle.
- This appliance must be grounded. It is equipped with a power cord having a grounding plug. The plug must be plugged into an outlet that is properly installed and grounded.
- Avoid the use of an extension cord because it may overheat and cause a risk of fire. However, if it is necessary to use an extension cord:
  - 1) Use only extension cord with grounding plug.
  - 2) The marked rating of an extension cord must be equal to or greater than the rating of this appliance.
  - 3) It should be positioned such that it does not drape over the counter or tabletop where it can be pulled on by children intentionally.
- Do not operate any appliance with a damage cord or plug or after the appliance malfunction or has been damaged in any manner. Return the appliance to the nearest authorized service facility for examination, repair or adjustment.
- If the supply cord is damaged, it must be replaced by the manufacturer or its service agent or a similarly qualified person in order to avoid a hazard.
- Do not let cord hang over edge of table or counter.

- Do not place on or near a hot gas or electric burner, or in a heated oven.
- Place power cord in such a way it cannot be pulled on by children or cause a tripping hazard.
- Place power cord in such a way that it is not in contact with hot surfaces.
- The use of attachment not recommended or sold by manufacturer may cause fire, electric shock or injury.
- Do not touch the evaporator when using the ice maker or making ice to avoid being suffer from frostbite.
- Do not immerse any part of the product in water.
- To disconnect, turn any control to “OFF”, then remove plug from wall outlet.
- Do not plug or unplug product with wet hands.
- Unplug the product before cleaning, maintaining and when not in use.
- Do not use with water that is microbiologically unsafe or of unknown quality.
- Do not clean your ice maker with any flammable fluids. The fumes may create a fire hazard or explosion.
- Do not overturn the ice maker. If the ice maker is overturned accidentally, make it stand steadily for 2 hours before powering it on again.
- If the ice maker is brought in from outside in wintertime, do not use for a few hours, allowing the unit to warm up to the room temperature before operating.
- Never put flammable, explosive and corrosive articles into the ice maker.
- Never use the ice maker when there is flammable gas leakage.
- Never store or use gas and other flammable articles near

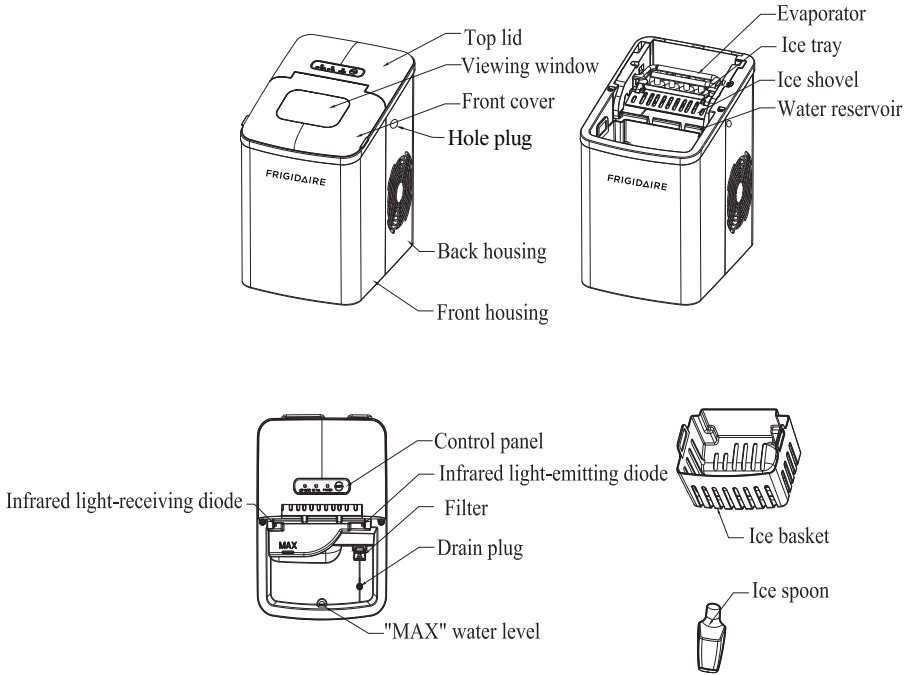
the ice maker to avoid any fire.

- Unplug the ice maker before moving it to avoid damaging the refrigerating system.
  - Do not attempt to disassemble, repair, modify, or replace any part of your product.
  - This appliance is not intended for use by persons (including children) with reduced physical, sensory or mental capabilities, or lack of experience and knowledge, unless they have been given supervision or instruction concerning use of the appliances by a person responsible for their safety.
  - Children should be supervised to ensure that they do not play with the appliance.
  - Close supervision is necessary when any appliance is used by or near children.
  - Do not leave the appliance unattended while in use.
  - Do not use outdoors.
  - Do not use the appliance for other than intended use.
  - Please dispose of the ice maker according to local regulations as it uses flammable blowing gas and refrigerant.
34. Please refer to local regulations regarding disposal of the appliance for its flammable refrigerant and blowing gas.

**SAVE THESE INSTRUCTIONS**

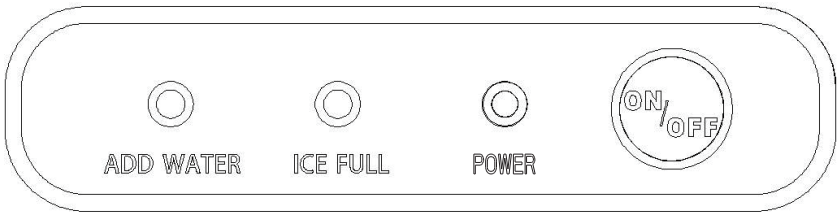
**HOUSEHOLD USE ONLY**

# KNOW YOUR ICE MAKER



*(Product may be subject to change without prior notice)*

# CONTROL PANEL



Key (with indicator)	Function
ON/OFF	Start or stop the appliance
POWER	Standby mode: “POWER” indicator blinks; Working condition: “POWER” indicator lights solidly.
ICE FULL	“ICE FULL” indicator lights up when the ice basket is full.
ADD WATER	“ADD WATER” indicator lights up when the water reservoir is lack of water.

## BEFORE FIRST USE

1. Unpack the appliance, then check and make sure that all the accessories including ice basket and ice scoop etc. are included. Please contact the client service department if some accessories are missed.
2. Please ensure the ice maker is level and on a stable table or platform to avoid malfunction.
3. The incline angle of the ice maker cabinet should not exceed 45° during transportation or use. Do not turn the ice maker upside down. Doing so could cause the compressor or refrigerating system to operate incorrectly. Please allow time for the fluids in the compressor to settle after the ice maker is moved or transported. Before using the ice maker for the first time, please wait for 2 hours after the unit has been leveled and positioned in the proper place.
4. The appliance must be placed on a dry and level surface with sufficient ventilation, far from heat sources such as ovens, heaters and corrosive gases. Leave about a 6-inch (15cm) clearance on all sides of the ice maker for proper ventilation.
5. Do not fill the water reservoir with hot water. This may damage the ice maker. It is best to fill the water reservoir with water of room temperature or lower.
6. Do not use the appliance in a very cold environment (lower than 5°C).
7. Clean the appliance by following the operation of “**CLEANING AND MAINTENANCE**” before you operate.

## USE YOUR ICE MAKER

1. Ensure that the drain plug at the bottom of water reservoir is closed well.
2. Plug the ice maker into the wall outlet, until the “POWER” indicator blinks.  
**NOTE:** Please let the ice maker rest for 30 minutes before plug if it has been moved.
3. Open the top lid and remove the ice basket.
4. Fill the water reservoir with drinking water.  
**NOTE:** Do not fill above the MAX water level mark.
5. Replace the ice basket and close the top lid.
6. Press “ON/OFF” key, and the “POWER” indicator lights solidly.
7. The ice-making cycle will last approximately 7-15 minutes, depending on the ambient temperature and water temperature.
8. The ice-making cycle starts with water being pumped into the ice tray situated below the evaporator. Over the next 7-15 minutes ice forms on the evaporator. Once this has completed, the ice tray will tilt backwards and the remaining water in the ice tray is drained back into the water reservoir. The ice cubes are then dropped from the evaporator and pushed forward into the ice basket by the ice shovel. The ice tray will automatically move back into position under the evaporator and start the next cycle.
9. The “ICE FULL” indicator will light up when the ice basket is full and then the ice maker will stop the ice-making cycle automatically. Gently remove the ice from the ice basket with the ice scoop. About 5 seconds later, the ice maker will restart its ice making function automatically.
10. The “ADD WATER” indicator will light up when the water reservoir is lack of water and the ice-making cycle will stop automatically. At that time, remove the ice basket and add water to the water reservoir, and then press “ON/OFF” key again to restart the ice-making cycle. The appliance will start working automatically after about 20 minutes if the operator forgets to restart the appliance after refill.
11. When you have got your desired amount of ice, stop the ice making cycle by pressing the “ON/OFF” key and unplug the unit from the wall outlet.
12. Open the top lid and transfer the ice to a freezer.
13. Allow the ice maker to reach room temperature.

14. We suggest replacing the water every a week. Please empty the water reservoir if the ice maker is not used for a long time.

## CLEANING AND MAINTENANCE

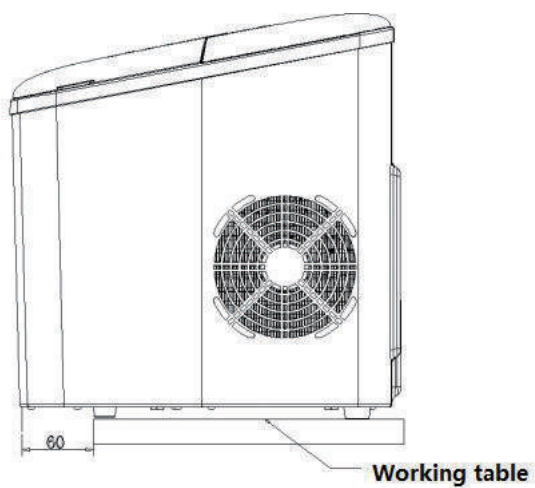
To keep your ice tasting fresh and your ice maker looking great, we recommend cleaning your ice maker once per week.

1. Stop the ice-making cycle by pressing the “ON/OFF” key, unplug the ice maker from the wall outlet and allow it to warm up to room temperature.
2. If residual water is found in the ice tray, gently push the ice tray back so that all water drains into the water reservoir.
3. Move the appliance forward to a place 60mm away from the working table and open the drain plug to drain out excess water (see Fig.1, Fig.2 and Fig.3).
4. Remove the ice basket.
5. Clean the ice maker interior with a soft cloth soaked with warm water and vinegar, then rinse with clean water and then drain all the water.
6. Replace the drain plug well in position. Wash the ice basket and ice scoop in warm soapy water. Rinse and dry.
7. Clean the exterior of the ice maker with a soft damp cloth. Use a mild dishwashing soap, if necessary.

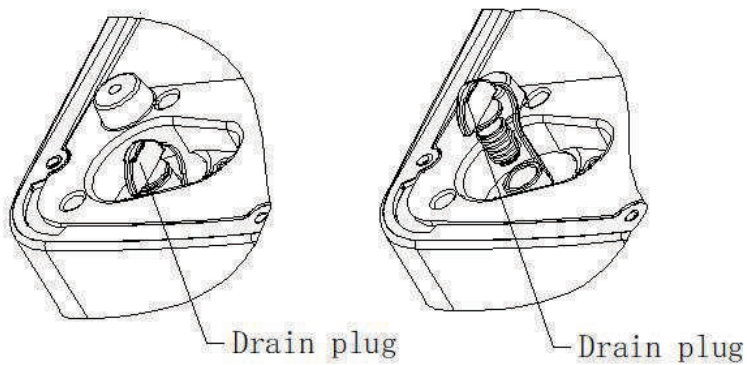
### **NOTE:**

- 1) Do not use organic solvent, boiled water, detergent, strong acid and strong alkali etc. for cleaning.
- 2) Do not clean the evaporator.
8. Please empty the water reservoir and dry it for storage if the ice maker is not used for a long time.





(Fig.1)



(Fig.2)

(Fig.3)

# TROUBLESHOOTING

<b>Problem</b>	<b>Possible causes</b>	<b>Solution</b>
“ADD WATER” indicator turns on	<ol style="list-style-type: none"> <li>1.Low water level or lack of water</li> <li>2.The water screen at the bottom of water reservoir is blocked.</li> <li>3.Pump malfunction.</li> </ol>	<ol style="list-style-type: none"> <li>1.Stop making ice, refill water and then press “ON/OFF” key to restart ice-making cycle.</li> <li>2.Clean</li> <li>3.Send it to the authorized department for repair.</li> </ol>
“ICE FULL” indicator lights up	<ol style="list-style-type: none"> <li>1.Ice basket is full and the infrared light is blocked by the ice.</li> <li>2. Infrared light-emitting diode &amp; light-receiving diode do not work</li> </ol>	<ol style="list-style-type: none"> <li>1. Remove the ice from ice basket.</li> <li>2a. Wipe up the foreign objects on the infrared light-emitting diode &amp; light-receiving diode and restart the ice maker.</li> <li>2b. Call Customer Service if the infrared light-emitting diode &amp; light-receiving diode still can not work after wiping up the foreign objects on them and restarting the ice maker.</li> </ol>
“ADD WATER” and “ICE FULL” indicators turn on simultaneously	<ol style="list-style-type: none"> <li>1. The ice tray is not in the right position.</li> <li>2. The “ICE FULL” condition can not be detected as the infrared light module is interfered by the sunlight.</li> </ol>	<ol style="list-style-type: none"> <li>1. Unplug the appliance and check if the ice tray is blocked by something.</li> <li>2. Unplug the appliance and move it to a place which is not exposed to the sunlight, then plug the appliance and activate it again.</li> </ol>
The ice collects together.	Making ice takes too much time.	Stop making ice and restart the ice-making cycle after the ice melts.
	The water in the water reservoir	Fill the water reservoir with

	is of too low temperature.	water ranges between 8°C and 25°C.
The ice-making cycle seems normal but no ice is produced.	The ambient temperature or water temperature is too high.	Start the ice-making cycle at a environment with an ambient temperature less than 32°C and fill the water reservoir with some cold water.
	Refrigerating system leaks	Call customer service
	Refrigerating system blocks	Call customer service
Poor ice-making result	<ol style="list-style-type: none"> <li>1.Poor heat dissipation.</li> <li>2.The water temperature is too high.</li> <li>3.The ambient temperature is too high.</li> </ol>	<ol style="list-style-type: none"> <li>1. Leave a 6-inch clearance on all sides of the ice maker for proper ventilation.</li> <li>2. Fill the water reservoir with water ranges between 8°C and 28°C.</li> <li>3. Operate the ice maker at a environment with an ambient temperature between 10°C and 32°C.</li> </ol>

## TECHNICAL PARAMETERS

Model: EFIC123-B-SSRED/EFIC108-B-RED/EFIC123-B-SS/EFIC123-B-SSBLACK

Applicable climate: ST/SN/N/T

Class: I

Power source: 120V/60Hz

Rated power: 105W

Refrigerant/Refrigerant amount: R600a / 23g

Foaming agent: C<sub>5</sub>H<sub>10</sub>

Net weight: 7.7kg

Ice marking amount per time: 9pcs.

Ice-dispensing time: 8mins (depends on the ambient temperature and water temperature).

Daily ice output: 12Kg/24H

Housing: PP

Unit size (DXWXH): 310\*230\*325mm

To make a warranty claim, do not return this product to the store. Please email [support@curtiscs.com](mailto:support@curtiscs.com) or call 1-800-968-9853.

## **1 Year Warranty**

This product is warranted to be free from defects in material and workmanship for a period of one (1) year from the date of original purchase. During this period, your exclusive remedy is repair or replacement of this product or component found to be defective, at our option; however, you are responsible for all costs associated with returning the product to us. If the product or component is no longer available, we will replace with a similar one of equal or greater value. Prior to a replacement being sent, the product must be rendered inoperable or returned to us.

This warranty does **not** cover glass, filters, wear from normal use, use not in conformity with the printed directions., or damage to the product resulting from accident, alteration, abuse, or misuse. This warranty extends only to the original consumer purchaser or gift recipient. Keep the original sales receipt, as proof of purchase is required to make a warranty claim. This warranty is void if the product is used for other than single-family household use or subjected to any voltage and waveform other than as on the specified rating on the label (e.g., 120V~60Hz).

We exclude all claims for special, incidental, and consequential damages caused by breach of express or implied warranty. All liability is limited to the amount of the purchase price. **Every implied warranty, including any statutory warranty or condition of merchantability or fitness for a particular purpose, is disclaimed except to the extent prohibited by law, in which case such warranty or condition is limited to the duration of this written warranty.** This warranty gives you specific legal rights. You may have other legal rights that vary depending on where you live. Some states or provinces do not allow limitations on implied warranties or special, incidental, or consequential damages, so the foregoing limitations may not apply to you.

For faster service, locate the model, type, and serial numbers on your appliance.